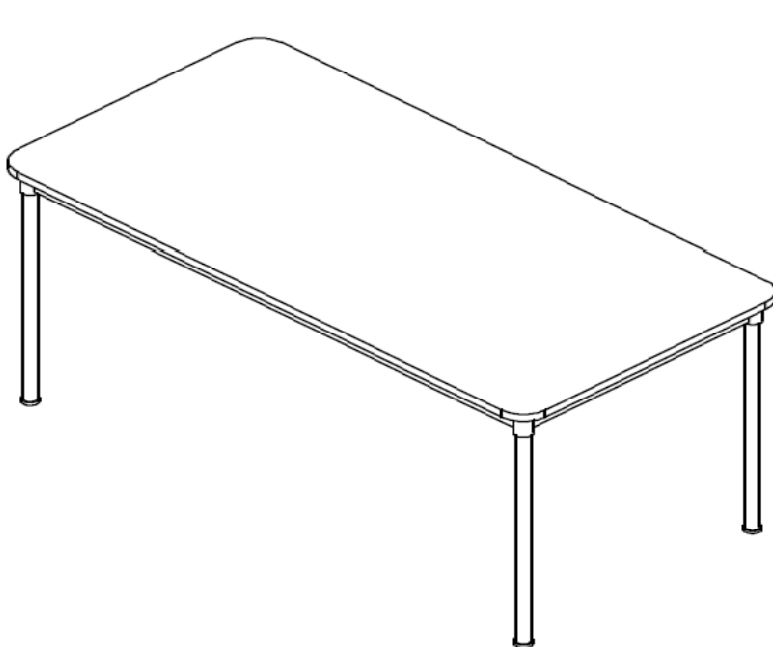


Model -3



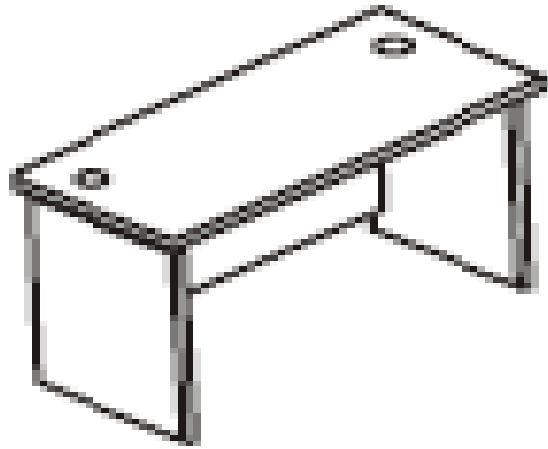
Modular seating 120'

Model -7



Reading table

Model -8



Computer table

Model -11



Student chairs (Vinyl)

Model -15



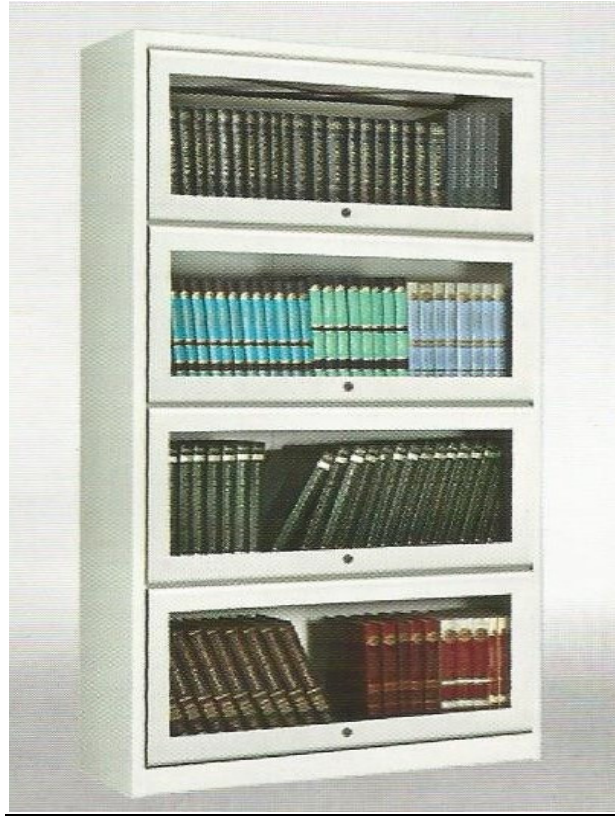
Stage chairs

Model -22



Sofa Set

Model -23



Library glass door book shelf