

**TENDER FOR RENOVATION OF OUTPATIENT
DEPARTMENT
(CIVIL AND ELECTRICAL WORKS ON TURNKEY BASIS)**

FOR

**PRIMARY HEALTH CENTRES AT
NEYYATTINKARA TALUK,
THIRUVANANTHAPURAM DISTRICT, KERALA STATE**

IFB NO. HLL/CHO-PROJ/KL-OPD/CIV&ELE/P-II/2017-18/04, DT. 21.08.2017



HLL LIFECARE LIMITED

(A GOVT. OF INDIA ENTERPRISE)

Corporate and Registered Office:

HLL Bhavan, Poojappura,

Thiruvananthapuram – 695012, Kerala, India

Phone +91 471 2354949 / 2350961/2350959

Mail: choprojects@lifecarehll.com

Web: www.lifecarehll.com

ABSTRACT

SECTION No.	DESCRIPTION	PAGE No.
<u>PART A</u>		
SECTION I	INVITATION FOR BIDS (IFB)	03
SECTION II	INSTRUCTION TO BIDDERS (ITB)	05
SECTION III	GENERAL CONDITIONS OF CONTRACT (GCC)	14
SECTION IV	SPECIAL CONDITIONS OF CONTRACT (SCC)	20
SECTION V	QUALIFICATION CRITERIA	23
SECTION VI	PROFORMA ABOUT THE CONTRACTOR	24
SECTION VII	PERFORMANCE STATEMENT	25
SECTION VIII	INDEMNITY CLAUSE	26
SECTION IX	DECLARATION	27
<u>PART : B</u>		
SECTION X	ABSTRACT PRICE SCHEDULE	29
SECTION XI	PRICE SCHEDULE (I)	30

PART – A**SECTION I****INVITATION FOR BIDS (IFB)**

Sealed and super scribed tenders, under Single Bid system, is invited from the eligible contractors, for execution of Renovation of Outpatient Department in Primary Health Centres at Neyyattinkara Taluk, Thiruvananthapuram District, Kerala State, The detailed work is given as in the **Price Schedule** to this Tender.

Sl. No	Details of PHC	EMD Amount In Rs
1	Kottukaal	Rs.18,000
2	Paraneeyam	Rs.23,000
3	Poozhanadu	Rs.22,000

2. The bid documents will be available up to 15.00 Hrs. on the previous working day of the opening of the bids. The scheduled date for issue, receipt and opening of bids is as follows.
- Date of issue of tender document - 21-08-2017 onwards
 - Last date and time for receipt of bids - 08-09-2017 up to 15.00 Hrs.
 - Date and time of opening of bids - 08-09-2017, 15.30 Hrs.
 - Address for communication, receipt and place of opening of bids:

ASSOCIATE VICE PRESIDENT (PROJECTS),
PROJECTS DIVISION,
 HLL LIFECARE LIMITED (A Government of IndiaEnterprise)
 Corporate Head Office, Poojappura.P.O,
 Thiruvananthapuram – 695012, Kerala, India Phn: 0471- 2354949, 2775588
 E-mail: choprojects@lifecarehll.com

- The completed and sealed bid documents should be submitted to Associate Vice President (Projects), in the above address along with the EMD. The outer cover should bear the Enquiry No, closing date and General description of item tendered, and the words “DO NOT OPEN BEFORE” 15.30 Hrs (IST) on ----- (Indicate the Closing Date). EMD shall be submitted in the form of demand draft drawn from a nationalized bank in favor of HLL Lifecare Limited payable at Thiruvananthapuram. Bids received after due date and time will be rejected. Any bid not accompanied by EMD will be rejected.
- Bids will be opened in the presence of Bidders representative(s) who choose to attend on the specified date and time, at the office of HLL at the address given in Clause 2 (d) above.
- In the event of the date specified for bid receipt and opening being declared as a closed holiday for the above purchaser’s office, the due date for submission of bids and opening of

bids will be the following working day at the appointed times.

6. HLL may, at its discretion, extend this deadline for submission of bids by amending the Bid Documents or any other reasons, in which case all rights and obligations of HLL and Bidders previously subject to the deadline will thereafter be subject to the deadline as extended.
7. HLL will not be held responsible for the postal delay, if any, in the delivery of the bidding document or the non-receipt of the same. Bids sent by Telex/Fax/Telegraph will not be accepted.
8. The EMD should be enclosed in a separate envelope and super scribed as “EMD” and to be attached in the main cover.
9. SSI units interested in availing exemption from payment of EMD should submit a valid copy of their registration certificate issued by the concerned DIC or NSIC.
10. The company reserves the right to club or split the items of works, change the qualifying criteria at their discretion and to reject or cancel the Invitation for bids without assigning any reason thereof.

SECTION II INSTRUCTION TO BIDDERS

A. INTRODUCTION

1. Eligible Bidders

1.1 Only experienced contractors are eligible to participate in the tender.

The tenderer shall furnish, as part of its tender, relevant details and documents establishing its eligibility to quote and its qualifications to perform the contract if its tender is accepted.

1.2 The documentary evidence needed to establish the tenderer's qualifications shall fulfill the following requirements:

a) The tenderer has the required financial, technical and service capability necessary to perform the contract and, further, it meets the qualification criteria incorporated in the Section V in these documents.

1.3 a) The bidder should have **Minimum 3 years experience in the relevant field (SECTION V)**

b) The Tenderer should have executed satisfactorily at least 3 jobs preferably of similar kind (CIVIL AND ELECTRICAL WORKS) as mentioned in SECTION V – Qualification Criteria

1.4 Bidder submit annual turnover statement for last 3 financial years, each year not less than at least 15 lakhs, certified by Chartered Accountant.

1.5 Deleted.

2. Cost of Bidding

2.1 Cost of bidding shall be completely on the tenderer.

B. THE BIDDING DOCUMENTS

3. Contents of Bidding Documents

3.1 The work required, bidding procedures and contract terms are prescribed in the Bidding documents. In addition to the Invitation for Bids, the Bidding documents include:

a. Instruction to Bidders (ITB);

- b. General Conditions of Contract (GCC);
- c. Special Conditions of Contract (SCC);
- d. Qualification criteria;
- e. Proforma about the Contractor
- f. Performance statement
- g. Indemnity Clause
- h. Declaration
- i. Abstract Price Schedule
- j. Price Schedules

3.2 The Bidder is expected to examine all instructions, forms, terms and specifications in the Bidding Documents. Failure to furnish all information required by the Bidding Documents or submission of a bid not substantially responsive to the Bidding Documents in every respect will be at the Bidder's risk and may result in rejection of its bid.

4. Clarification of Bidding Documents

4.1 The Bidder, who require any clarification of the Bidding Documents may notify the Company in writing at the Company's mailing address indicated in the Invitation for Bids. The Company will respond in writing to any such request which is received not later than **3 days** prior to the deadline for submission of bids prescribed by the Company. Any such response (relevant) against the clarification of the tenderer shall be notified in our website only.

5. Amendment of Bidding Documents

5.1 At any time prior to the deadline for submission of bids, the Company may, for any reason, whether at its own initiative or in response to a clarification requested by a prospective bidder, modify the Bidding Documents by an amendment.

Those bidders who download the tender documents from our website should furnish the Name and address of the vendor, name of contact person, telephone and Email details immediately by Email to choprojects@lifecarehll.com. Any changes pertains to this tender shall be communicated only through our website www.lifecarehll.com

5.2 All prospective bidders who have received the Bidding Documents will be notified of the amendment in writing or by cable and will be binding on them.

5.3 In order to allow prospective bidders reasonable time in which to take the amendment into account in preparing their bid, the Company may, at its discretion, extend the deadline for the submission of bids

C. PREPARATION OF BIDS

6. Language of Bid

- 6.1 The Bid prepared by the bidder and all correspondence and documents relating to the bid exchanged by the Bidder and the Company, shall be written in the English language. Supporting documents and printed literature furnished by the Bidder may be written in another language provided they are accompanied by an accurate translation of the relevant passages in the English language in which case, for purposes of interpretation of the Bid, the English translation shall govern.

7. Documents Comprising the Bid

Following documents and forms are to be included in the bid respectively.

7.1 TECHNICAL DOCUMENTS

The technical bid shall consist of the following documents.

- a) **EMD shall be submitted in the form of Demand Draft from schedule Bank, drawn in favor of HLL Lifecare Limited, payable at Thiruvananthapuram.** The EMD/Bid Security shall be refunded to the non-responsive bidders within 60 days from the date of opening of Bid. The Tender received without EMD will be rejected.
- b) SSI/MSME units interested in availing exemption from payment of Tender Fee & EMD should submit a valid copy of their registration certificate issued by the concerned DIC or NSIC / **Udyog Aadhaar**. But the Party has to provide Security deposit if Tender is awarded to them.
- c) Copy of Balance sheet / Bank Statement for the past two financial years.
- d) Performance statement in the Proforma VII.
- e) Documentary evidence established in accordance with ITB Clause A1 that the Bidder is eligible to bid and is qualified to perform the contract if its bid is accepted;

7.2 PRICE SCHEDULE

Duly filled Bid Form i.e. Price Schedule Abstract and Price Schedule.

7.3 DISTRIBUTION OF WORK IN CASE OF AWARDING WORK TO MORE THAN ONE TENDERER:-

- i. The Company has the right to give the work under this tender to one or more contractors, for any number of site or partially or fully, at Company's own discretion.
- ii. The company reserves the right to distribute the work, site wise, at its discretion to different Tenderers who agree to do the work at the lowest rate accepted. However, the company is not bound to accept the lowest rate quoted by L1 bidder for all works tendered.

- iii. It is specifically made clear that the company reserves right to place the order for the other competent bidders (other than L1 bidder), subject to matching L1 rates.
- iv. Company has chosen to place work Orders with the Matched lowest contractor and when there are more than one such Matched lowest contractor, then the work Orders for the requirement of works will be placed among them at the discretion of the company to get the works executed within the limited time period.
- v. The Matched lowest contractor, on placement of work Order, will be deemed as lowest rate contractor for the purpose of the tender and all provisions of the tender documents applicable to L1 rate tenderer will apply mutatis mutandis to the Matched L1 contractor also.
- vi. If the lowest contractor has failed to execute the required works within the stipulated time, Company will cancel such work orders and on cancellation, Company will place work Orders with the alternate contractor(s) at the risk and cost of the defaulted contractor.
- vii. If the contractor fails to execute the work(s) for any of the Work Orders placed for the similar work(s), at any point of time, either fully or partly, within the stipulated time, Company is at liberty to place work Orders either with other Tenderers (in ascending order, viz., L2,L3 and so on) at the rates offered by them or with alternate sources and in such cases the defaulted contractor is liable to indemnify Company, WITH OUT ANY PROTEST OR DEMUR, for the difference in cost incurred by Company and the Company is entitled to recover the difference in cost from any amount due/payable to the defaulted supplier.

8. Bid Currencies

8.1 Prices shall be quoted in Indian Rupees.

9. Documents establishing bidder's eligibility and qualifications

9.1 Pursuant to ITB Clause 1, the bidder shall furnish, as part of its bid, documents establishing the bidder's eligibility to bid and its qualifications to perform the Contract.

9.2 The documentary evidence of the Bidder's qualifications to perform the Contract if its bid is accepted, shall establish to the Company's satisfactions.

- (a) that the bidder has the financial and technical capability necessary to perform the Contract and meets the criteria outlined in the qualification requirements specified in Section V. All bids submitted shall include the following information:

Details of experience and past performance of the bidder on items offered and on those of similar nature and details of current contracts in hand and other commitments as per proforma given in Section VII

10. Scope of Documents:

- 10.1 For the purpose of the documentary evidence to be furnished pursuant to ITB Clause 9.2 above, the Bidder shall note that the standards for workmanship, material and references to brand names or catalogue numbers, if any, designated by the Company in its Tender schedules are intended to be descriptive only and not restrictive.

11. Period of Validity of Bids

- 11.1 Price shall be valid **for One year from the date of opening.**
- 11.2 In exceptional circumstances, the Company may solicit the bidders consent to an extension of the period of validity. The request and the responses thereto shall be made in writing.

12. Format and Signing of Bid.

- 12.1 The bidder shall prepare the bid clearly marking as appropriate
- 12.2 The bid shall be typed or written in indelible ink and shall be signed by the Bidder or a person or persons duly authorized to bind the Bidder to the Contract. The letter of authorization shall be indicated by written power-of-attorney accompanying the bid. All pages of the bid, except for printed literature, shall be initialed by the person(s) signing the bid.
- 12.3 Any interlineations, erasures or overwriting shall be valid only if they are initialed by the person or person(s) signing the bid.

D. SUBMISSION OF BIDS**13. Sealing and Marking of bids**

- 13.1 The bidders shall seal the **Technical bid** and **Price bid** in a single cover, duly written on the envelope as

“TENDER FOR RENOVATION OF
OPD AT PRIMARY HEALTH CENTRE AT NEYYATTINKARA TALUK,
THIRUVANANTHAPURAM DISTRICT, KERALA STATE
“HLL/CHO-PROJ/KL-OPD/CIV&ELE/P-II/2017-18/04, DT. 21.08.2017”
“DO NOT OPEN BEFORE 15.30 Hrs. on 08.09.2017 ”

13.2 The envelope shall be addressed to the following address:

ASSOCIATE VICE PRESIDENT (PROJECTS),
PROJECTS DIVISION,
HLL LIFECARE LIMITED (A Government of India Enterprise)
Corporate Head Office, Poojappura.P.O,
Thiruvananthapuram – 695012, Kerala, India
Phn: 0471- 2354949, 2775588
E-mail: choprojects@lifecarehll.com

- (a) If the envelope is not sealed and marked as required, the Company will assume no responsibility for the bid's misplacement or premature opening.
- (b) Bids must be received by the Company at the address specified not later than the date and time specified in the Invitation for Bid. In the event of the specified date for the submission of bids, being declared a holiday for the Company, the bids will be received up to the appointed time on the next working day.
- (c) The Company may, at its discretion, extend this deadline for the submission of bids by amending the bidding documents in which case all rights and obligations of the Company and bidders previously subject to the deadline will thereafter be subject to the deadline as extended.

14. LATE BIDS

14.1 Any bid received by the Company after the deadline for submission of bids prescribed by the Company, will be rejected and returned unopened to the bidder.

15. MODIFICATION AND WITHDRAWAL OF BIDS

15.1 The bidder may modify or withdraw its bid after the bid submission, provided that written notice of the modification or withdrawal is received by the Company prior to the deadline prescribed for submission of bids.

15.2 The bidder's modification or withdrawal notice shall be prepared, sealed, marked and dispatched in accordance with the provisions of ITB Clause 15. A withdrawal notice may also be sent by cable, but followed by a signed confirmation copy, post-marked not later than the deadline for submission of bids.

15.3 No bid may be modified subsequent to the deadline for submission of bids.

15.4 No bid may be withdrawn in the interval between the deadline for submission of bids and the expiration of the period of bid validity specified by the bidder in the Bid Document.

E. BID OPENING AND EVALUATION

16. Opening of Bids by Company

- 16.1 The Company will open all bids, in the presence of bidder's representatives who choose to attend, at 15.30 Hrs on 02.09.2017 at the following Office

ASSOCIATE VICE PRESIDENT (PROJECTS),
PROJECTS DIVISION,
HLL LIFECARE LIMITED (A Government of India Enterprise)
Corporate Head Office, Poojappura.P.O,
Thiruvananthapuram – 695012, Kerala, India
Phn: 0471- 2354949, 2775588
E-mail: choprojects@lifecarehll.com

- 16.2 In the event of the specified date of bid opening being declared a holiday for the Company, the bids shall be opened at the appointed time and location on the next working day.
- 16.3 The bidder's names, modifications, bid withdrawals and the presence or absence of the requisite documents and such other details as the Company, at its discretion, may consider appropriate will be announced at the opening. No bid shall be rejected at bid opening, except for late bids, which shall be returned unopened to the bidder.
- 16.5 The Company will scrutinize the technical bid for compliance to the conditions and documentation requirement as per the bid document. The bidders will be short-listed on the basis of responsiveness of technical bid & Price bid. The short listed bidders will be informed about the time, date and venue of the price bid opening.

17. CLARIFICATION OF BIDS

- 17.1 During evaluation of bids, the Company may, at its discretion, ask the bidder for a clarification of its bid. The request for clarification and the response shall be in writing and no change in prices or substance of the bid shall be sought, offered or permitted.

18 PRELIMINARY EXAMINATION

- 18.1 The Company will examine the bids to determine whether they are complete, whether any computational errors have been made, whether the documents have been properly signed, and whether the bids are generally in order.
- 18.2 Arithmetical errors will be rectified on the following basis. If there is a discrepancy between the unit price and the total price that is obtained by multiplying the unit price and quantity, the unit price shall prevail and the total

- price shall be corrected. If there is a discrepancy between words and figures, the amount in words will prevail. If the bidder does not accept the correction of the errors, its bid will be rejected.
- 18.3 The Company may waive any minor informality or non-conformity or irregularity in a bid, which does not constitute a material deviation, provided such a waiver does not prejudice or affect the relative ranking of any bidder.
- 18.4 Prior to the detailed evaluation, pursuant to Clause ITB 21, the Company will determine the substantial responsiveness of each bid to the bidding documents. For purposes of these clauses a substantially responsive bid is one which conforms to all the terms and conditions of the bidding documents without material deviations. Deviations from or objections or reservations to critical provisions such as those concerning Warranty, Force Majeure, Applicable law and Taxes and Duties will be deemed to be material deviation. The Company's determination of a bid's responsiveness is to be based on the contents of the bid itself without recourse to extrinsic evidence.
- 18.5 If a bid is not substantially responsive, it will be rejected by the Company and may not subsequently be made responsive by the bidder by correction of the non-conformity.

19. EVALUATION AND COMPARISON OF BIDS

- 19.1 The Company will evaluate and compare bids previously determined to be substantially responsive, pursuant to ITB Clause 20.

20. CONTACTING THE COMPANY

- 20.1 No bidder shall contact the Company on any matter relating to its bid, from the time of the bid opening to the time the contract is awarded. If the bidder wishes to bring additional information to the notice of the Company it should do so in writing.
- 20.2 Any effort by a bidder to influence the Company in its decisions on bid evaluation, bid comparison, or selection may result in the rejection of the bidders bid.

F. AWARD OF CONTRACT

21. POST QUALIFICATION

- 21.1 The determination will take into account the bidders financial, technical capabilities. It will be based upon an examination of the documentary evidence of the bidder's qualifications submitted by the bidder, pursuant to ITB Clause 1 as well as such other information as the Company deems necessary and appropriate.
- 21.2 An affirmative determination will be a prerequisite for award of the contract to the bidder. A negative determination will result in rejection of the bidders bid, in

which event the Company will proceed to the next lowest evaluated bid to make a similar determination of that bidder's capabilities to perform satisfactorily.

22. AWARD CRITERIA

- 22.1 Subject to ITB Clause 7.3, the Company will award the contract to the successful bidder whose bid has been determined to be substantially responsive and as the lowest evaluated bid, provided further that the bidder is determined to be qualified to perform the contract satisfactorily.

23. COMPANY'S RIGHT TO VARY QUANTITIES AT TIME OF AWARD

- 23.1 The Company reserves the right at the time of award of contract to increase or decrease the quantity of materials and services originally specified in the bid document without any change in unit price or other terms and conditions within the bid validity period.

24. COMPANY'S RIGHT TO ACCEPT ANY BID AND TO REJECT ANY OR ALL BIDS

- 24.1 The Company reserves the right to accept or reject any bid, and to annul the bidding process and reject all bids at any time prior to award of Contract, without thereby incurring any liability to the affected bidder or bidders.

25. NOTIFICATION OF AWARD

- 25.1 Prior to the expiration of the period of bid validity, the Company will notify the successful bidder in writing by registered letter or by mail, to be confirmed, that its bid has been accepted.
- 25.2 The notification of award will bind the successful bidder to enter into a detailed agreement with the Company within 10 days from the date of notification of award.

SECTION III GENERAL CONDITIONS OF CONTRACT

1. DEFINITIONS

- 1.1 In this contract the following terms shall be interpreted as indicated:
- (a) “The Contract” means the agreement entered into between the Company and the Contractor as recorded in the Contract Form signed by the parties, including all the attachments and appendices thereto and all documents incorporated by reference therein;
 - (b) “The Contract Price” means the price payable to the Contractor under the Contract for the full and proper performance of its contractual obligations;
 - (c) “The Materials” means all the products and/or other materials which the Contractor is required to be used in the work under the Contract;
 - (d) “Services” means services ancillary to the works, other incidental services, such as installation, commissioning, provision of technical assistance, and other obligations of the Contractor covered under the contract.
 - (e) “GCC” means the General Conditions of Contract contained in this section.
 - (f) “SCC” means the Special Conditions of Contract.
 - (g) “The Company” means the Organization contracting the work, as named in SCC;
 - (h) “The Contractor” means the individual or firm undertaking the work / Service under this Contract;
 - (i) “Day” means calendar day.
 - (j) “Handing over period” means the period applicable upto completion of work and testing by the contractor at the required location mentioned in service purchase order and accepted by the Company.
 - (k) “Earnest Money Deposit” (EMD) means Bid Security / monetary or financial guarantee to be furnished by a tenderer along with its tender”.

2. APPLICATION

- 2.1 These General Conditions shall apply to the extent that they are not superseded by provisions in other parts of the Contract.

3. STANDARDS

- 3.1 The Work executed under this Contract shall conform to the standard requirements mentioned in the schedule.

4. USE OF CONTRACT DOCUMENTS AND INFORMATION

- 4.1 The Contractor shall not, without the Company's prior written consent, disclose the Contract, or any provision thereof, or any specification, plan, drawing, pattern, sample or information furnished by or on behalf of the Company in connection therewith, to any person other than a person employed by the Contractor in performance of the Contract. Disclosure to any such employed person shall be made in confidence and shall extend only so far as may be necessary for purposes of such performance.
- 4.2 The Contractor shall not, without the Company's prior written consent, make use of any document or information enumerated in GCC Clause 4.1 except for purposes of performing the Contract.
- 4.3 Any document, other than the Contract itself, enumerated in GCC clause 4.1 shall remain the property of the Company and shall be returned (in all copies) to the Company on completion of the contractor's performance under the Contract if so required by the Company.

5. INSPECTION AND TESTS

- 5.1 The Company or its representative shall have the right to inspect and/or to test the materials to confirm their conformity to the Contract at no extra cost of the Company. The Special conditions of Contract and/or the Technical Specifications shall specify what inspections and tests the Company requires and where they are to be conducted. The Company shall notify the Contractor in writing of the identity of any representatives retained for these purposes.
- 5.2 The inspections and test may be conducted on the premises, at point of completion and/or at the time of handing over the execution. The Contractor or its subcontractor(s), all reasonable facilities and assistance shall be extended to the inspectors at no charge to the Company.
- 5.3 Should any inspected or tested materials/work fail to meet with the schedule requirement, the Company may reject them and the Contractor shall either replace the rejected materials or make all alternations necessary to meet schedule requirements free of cost to the Company.
- 5.4 The Company's right to inspect, test and, where necessary, reject the materials/work at site shall in no way be limited or waived by reason of the Materials having previously been inspected, tested and passed by the Company or its representative.

6 INCIDENTAL SERVICES

- 6.1 The contractor may be required to provide any or all of the services with respect to this tender, including additional services, if any, specified in SCC:

7. WARRANTY

- 7.1 The Contractor warrants that the Materials used under this Contract are new, unused, of the most recent or current models and incorporate all recent improvements in design and materials unless provided otherwise in the Contract. The contractor further warrants that the Materials supplied under this Contract shall have no defect arising from design, materials or workmanship (except when the design and/or material is required by the Company's specifications) or from any act or omission of the Contractor, that may develop under normal use of the supplied Materials in conditions obtaining in the state/country of final destination.
- 7.2 This warranty shall remain **valid for one year** after work completion handing over and accepted as indicated in the Contract.
- 7.3 The Company shall promptly notify the contractor in writing of any claims arising under this warranty.
- 7.4 Upon receipt of such notice, the Contractor shall, within the period specified in SCC and with all reasonable speed, repair or replace the defective Materials or parts thereof, without cost to the Company
- 7.5 If the Contractor, having been notified, fails to remedy the defect(s) within the period specified in SCC within a reasonable period, the Company may proceed to take such remedial action as may be necessary, at the Contractor's risk and expense and without prejudice to any other rights which the Company may have against the Contractor under the contract.

8. PAYMENT

- 8.1 The method and conditions of payment to be made to the Contractor under the Contract shall be specified in the Special Conditions of Contract.
- 8.2 Payment shall be made in Indian Rupees

9. PRICES

- 9.1 Prices charged by the Contractor for Work/Services performed under the Contract shall not vary from the prices quoted/agreed by the Contractor in its bid, with the exception of any prices adjustments authorized in the special Conditions of Contract or in the Company's request for bid validity extensions, as the case may be.

10. CONTRACT AMENDMENTS

10.1 Subject to GCC Clause 17, no variation in or modification of the terms of the Contract shall be made except by written amendment signed by the parties.

11. ASSIGNMENT

11.1 The Contractor shall not assign, in whole or in part, its obligations to perform under the contract, except with the Company's prior written consent.

12. SUBCONTRACTS

12.1 The supplier shall notify the Company in writing of all subcontracts awarded under the contract if not already specified in his bid. Such notification, in his original bid or later, shall not relieve the Supplier from any liability or obligation under the contract.

13. LIQUIDATED DAMAGES

13.1 If the Contractor fails to perform the contract/services within the period(s) specified in the Contract, the Company shall, without prejudice to its other remedies under the Contract, deduct from the Contract Price, as liquidated damages, a sum equivalent to the percentage specified in SCC of the delivered price of the delayed unperformed contract/Services for each week or part thereof of delay until actual handing over or performance, up to a maximum deduction of the percentage specified in the SCC if any. Once the maximum is reached, the Company may consider termination of the Contract.

14. TERMINATION BY DEFAULT

14.1 The Company may, without prejudice to any other remedy for breach of contract, by written notice of default sent to the contractor, terminate the Contract in whole or part;

(a) if the Contractor fails to complete any or all of the work within the time period(s) specified in the Contract, or within any extension thereof granted by the Company, or

(b) if the Contractor fails to perform any other obligation(s) under the contract.

14.2 In the event the Company terminates the Contract in whole or in part, the Company may execute, upon such terms and in such manner as it deems appropriate, Work or Services similar to those unperformed, and the Contractor shall be liable to the Company for any excess costs for such similar Works. However, the Contractor shall continue the performance of the Contract to the extent not terminated.

15. FORCE MAJEURE

- 15.1 For purposes of this Clause “Force Majeure” means an event beyond the control of the Contractor and not involving the Contractor’s fault or negligence and not foreseeable. Such events may include, but are not limited to, acts of the Company either in its sovereign or contractual capacity, wars or revolutions, fires, floods, epidemics, quarantine restrictions and freight embargoes.
- 15.2 If a Force Majeure situation arises, the Contractor shall promptly notify the Company in writing of such conditions and the cause thereof. Unless otherwise directed by the Company in writing, the Contractor shall continue to perform its obligations under the Contract as far as is reasonably practical, and shall seek all reasonable alternative means for performance not prevented by the force majeure event.

16. TERMINATION FOR INSOLVENCY

- 16.1 The Company may at any time terminate the Contract by giving written notice to the Contractor, if the Contractor becomes bankrupt or otherwise insolvent. In this event, termination will be without compensation to the Contractor, provided that such termination will not prejudice or affect any right of action or remedy, which has accrued or will accrue thereafter to the Company.

17. RESOLUTION OF DISPUTES/ ARBITRATION

- 17.1 The Company and the contractor shall make every effort to resolve amicably by direct informal negotiation any disagreement or dispute arising between them under or in connection with the Contract.
- 17.2 If, after thirty (30) days from the commencement of such informal negotiations, the Company and the Contractor have been unable to resolve amicably a Contract dispute, either party may require that the dispute be referred for resolution to the formal mechanisms specified in the General Conditions of Contract (Arbitration Clause 20.3). These mechanisms may include, but or not limited to, conciliation mediated by a third Party, adjudication in an agreed national forum, and national arbitration.
- 17.3 If, HLL and the Contractor have been unable to resolve amicably a Contract dispute, such dispute or disagreement shall be settled in accordance with the Arbitration and Conciliation Act 1996. The Arbitral Tribunal shall consist of Sole Arbitrator, to be chosen from the Panel of Arbitrators notified by the Institute of Engineers (India), Kerala Chapter. Venue of the Arbitration shall be Thiruvananthapuram. Language of arbitration shall be English. Award of the Sole Arbitrator will be final and binding upon the Parties.

17.4 Subject to above mentioned Arbitration clause the jurisdiction of any disputes, suits and proceeding arising out of the tender shall be only in the court of Thiruvananthapuram.

18. GOVERNING LANGUAGE

18.1 The contract shall be written in English language. English language version of the Contract shall govern its interpretation. All correspondence and documents pertaining to the Contract which are exchanged by the parties shall be written in the same language.

19. APPLICABLE LAW

19.1 The Contract shall be interpreted in accordance with the laws of the Union of India.

20. NOTICES

20.1 Any notice given by one party to the other pursuant to this Contract shall be sent to other party in writing or by cable and confirmed in writing to the other Party's address specified in Special Conditions of Contract.

20.2 A notice shall be effective when delivered or on the notice's effective date, whichever is later.

21. TAXES AND DUTIES

21.1 Contractors shall be entirely responsible for all taxes, licenses, statutory levies etc., incurred until handing over of the contracted site / service to the Company.

SECTION IV

SPECIAL CONDITIONS OF CONTRACT

The following Special Conditions of Contract shall supplement the General Conditions of Contract. Whenever there is a conflict, the provisions herein shall prevail over those in the General Conditions of contract. The Corresponding clause number of the General Conditions is indicated in parentheses.

1. The work shall be completed **within 15 Days** from the date of receipt of firm Work Order / L.O.I.
2. The contractor may inspect the site at Kerala before quoting the work and any clarification regarding clarification on site and other tender related queries shall be clarified with HLL in the address/phone/email provided in the document.
3. During the execution of the work the contractor or authorized representative should be present at site.
4. Statutory deduction like Income tax, ESI, PF etc will be deducted from the Contractor's bill as per the statutory rules.
5. Security deposit: 5% of executed value shall be deducted from the each bill and shall be released after defect liability period of ONE year.
6. Bidder shall quote for all the schedules in the tender, if any schedule is not quoted, then the bidder will be treated as non-responsive.
7. The contractor can submit One Running account bill during the work period and payment made as below:
 - a) 80% of the bill value will be paid on running account bill submitted by the contractor.
 - b) Balance 20% will be paid along with the final bill only after issue of Work Completion certificate by Engineer In Charge/Officer In Charge of HLL Lifecare Ltd.

5% amount of the Bill will be retained as retention money and will be released only after the Defect liability period of 12 months.

The running account bills are to be submitted detailing the work description, quantity and rate as per the Work Order. Payment will be made against actual measurements recorded and certified jointly by HLL Engineer in charge and the Contractor's representative.

Tax Deduction: All statutory deductions like GST, Income Tax, Works Contract Tax, E.S.I., P.F. or any other government-imposed liabilities shall be borne by the Contractor (as applicable at the time of execution of job) and shall be deducted from each bill submitted by the Contractor.

8. Measurement & Payment terms:

- a) The method of measurement of completed work shall be in accordance with the standard measurement. Payment will be made on satisfactory completion of work as per the order. Interim or running account bills shall be submitted by the contractor for the work executed on the basis of such recorded measurements in the format of HLL. All such interim payments shall be regarded as payment by way of advances against final payment only, and shall not preclude the requiring of bad, unsound and imperfect or unskilled work to be rejected, removed, taken away and reconstructed or re-erected. Any certificate given by the officer relating to the work done or materials delivered forming part of such payment, may be modified, or corrected by any subsequent such certificate(s) or by the final certificate and shall not by itself be conclusive evidence that any work or material so which it relates is /are in accordance with the contract and certificate. Any such interim payment,/any part there of shall not in any respect conclude, determine or affect in any way powers of the engineer in charge under the contract or any of such payment s be treated as final settlement and adjustment of accounts or in any way vary or affect the contract.
 - b) If contractor is executing any extra items as per direction of Engineer in charge / Officer in charge, the rates shall be worked out as per the latest CPWD Schedule of Rates and in case, the item is not included in the CPWD schedule, the rate shall be arrived as per prevailing Market rates.
 - c) The Quantity shown in the schedule is an approximate estimated quantity. No rate revision will be entertained if the quantity increases/decreases due to the site condition while executing the work.
 - d) Measurement is to be recorded in each stage of the work and the payment will be made on actual measurement of the work as per the order.
 - e) Final payment shall be paid only after clearing the site as per direction of Engineer-in-charge/ Officer in charge.
9. All the materials and tools required for the work shall be procured by the contractor and brought to the site to complete the work in the time frame. Entry of men/ materials should be done through the security gate only and the details of the same shall be recorded in the register kept at the security office and the copy of details shall be submitted to the Projects in-charge. All the material brought to the work shall be as per the schedule and samples of materials shall be handed to the project in-charge.
10. The contractor has to arrange all the necessary insurance coverage for the materials/ machines / work men deployed by him at his own cost.
11. Water and Electricity: The contractor shall make his own arrangement for water and electricity required for the works. HLL will not be responsible for the supply of either electricity or water.

12. If the Contractor fails to execute any or all of the work or perform the Services within the time period(s) specified in the Tender/Purchase Order / Work order, the HLL shall, without prejudice to its other remedies under the Contract, deduct from the Contract Price, as penalty, a sum equivalent to the percentage specified in the various terms and conditions of the contract.
13. A delay by the Contractor in the performance of its contract obligations shall render the Contractor liable to the imposition of penalty pursuant to this tender/Work Order/contract, unless an extension of time is agreed upon pursuant to agreement/Work Order without the application of liquidated damages.
14. Penalty shall be imposed as per the company rules for any delay committed by the contractor in completing the work as per the order. (Ref. Clause.16 - LIQUIDATED DAMAGES)

15. CONTRACT AMENDMENTS

No variation in or modification of the terms of the Contract shall be made except by written amendment signed by the parties.

15. ASSIGNMENT

The Contractor shall not assign, in whole or in part, its obligations to perform under the contract, except with the HLL's prior written consent.

16. LIQUIDATED DAMAGES

If the Contractor fails to perform the Services within the period(s) specified in the Contract, the HLL shall, without prejudice to its other remedies under the Contract, deduct from the Contract Price, as liquidated damages, a sum equivalent to 2.5 percentage of the value of the delayed Work or unperformed Services for each week or part thereof of delay until actual completion of performance, up to a maximum deduction of 15 percentage. Once the maximum is reached, the HLL may consider termination of the Contract.

SECTION V QUALIFICATION CRITERIA

(Referred to in Clause 1 of ITB Eligible Bidders)

A) For Civil

- 1) The bidder should have **Minimum 3 years experience in the relevant field.**
- 2) The Tenderer should have executed satisfactorily at least 3 jobs preferably of similar kind in the last 3 years, each contract valued atleast Rs. 5 Lakhs.

B) For Electrical

- 1) The bidder should have **Minimum 3 years experience in the relevant field.**
- 2) The Tenderer should have executed satisfactorily at least 3 jobs preferably of similar kind in the last 3 years, each contract valued atleast Rs. 5 Lakhs.

The bidder should fulfil all the mentioned criteria and proof of such document shall be submitted long with the bid, failing which bid will be treated as non-responsive.

SECTION VI

PROFORMA ABOUT THE CONTRACTOR

(Please attach detailed proforma incorporating the information given below)

Tender No.....

DATE OF OPENING.....

NAME OF THE TENDERER:.....

1. Name & Full address of the Contractor:

(a) PAN No

(b) GST No *****

(specify whether registered with Kerala State. Attach relevant copies as proof of evidence)

(a) Any other details

(b) Specify whether SSI / MSME unit

2. (a) Telephone No.

Office/Personal

(b) Fax No.

Office/Personal

(c) e-mail address

3. Details of Staff:

a) technical :

b) skilled :

c) unskilled :

SEAL OF THE TENDERER

SIGNATURE

NAME AND ADDRESS OF TENDERER

SECTION VII

PROFORMA FOR PERFORMANCE STATEMENT

Proforma for Performance Statement (for a period of last 3 years)

Name of the Tenderer:.....

Name & Address of the Tenderer / Service Provider:.....

.....

Order placed by (Full Address of Company / Consignee)	Order No. and Date	Description and quantity of ordered work and service	Value of order	Date of Completion of Contract		Remarks indicating reasons for delay, if any	Have the works been satisfactorily maintained? (Attach a documentary proof)
				As per Contract	Actual		

We hereby certify that if at any time, information furnished by us is proved to be false or incorrect, we are liable for any action as deemed fit by the Company in addition to forfeiture of earnest money.

Signature and Seal of the Bidder

.....

SECTION VIII

HLL LIFECARE LIMITED

(A Government of India Enterprise)

Projects Division Corporate Head Office, Poojappura.P.O,

Thiruvananthapuram – 695012, Kerala, India

Phn: 0471- 2354949, 2775588

INDEMINITY CLAUSE

If the contractor fails to execute the order within the time prescribed for the handing over of works ordered or violates or infringes the existing rates as agreed to as mentioned in the work order, the contractor shall and will indemnify the company against all losses or damages whatsoever to be incurred or sustained including the legal cost or expenses incurred by the company by reason of non-handing over of works at agreed quantity and rate with in the time specified in the work order. The company will initiate legal action if the contractor fails to execute the work order as per the schedule in the work order for the actual loss suffered. No quantity tolerance will be permitted in this regard unless otherwise prior approval is taken by the company before executing any excess quantity and shall be at the risk of the contractor. Responsiveness of the Bid shall be at the discretion of HLL.

The contractor shall have no right to change the quantity stipulated in the work order.

Bid pronounced Non Responsive by HLL shall be summarily rejected.

The decision of HLL will be final and no correspondence of this shall be entertained.

We have read and understood the above conditions and agree to abide by the same.

PLACE:

DATE:

**NAME AND SIGNATURE OF THE TENDERER
(WITH OFFICE SEAL)**

SECTION IX

HLL LIFECARE LIMITED

(A Government of India Enterprise)
Projects Division Corporate Head Office, Poojappura.P.O,
Thiruvananthapuram – 695012, Kerala, India
Phn: 0471- 2354949, 2775588

DECLARATION

I / WE, The Bidder undertake, we shall execute, within the purview of the contract, all the works and activities includes; transportation, loading, unloading and other technical work for the installation of the equipment at the designated site as per the schedule/contract /work order, at **Kerala**.

We confirm having read and understood all the schedule requirements, instructions, forms, terms and conditions and other requirements of the above tender (both expressed and implied) in full and that we agree to abide by all without any deviation.

SEAL OF THE TENDERER

SIGNATURE
NAME AND ADDRESS OF TENDERER

PART : B

SECTION X ABSTRACT PRICE SCHEDULE

SECTION XI PRICE SCHEDULE

SECTION XII SITE PLAN

SECTION X**HLL LIFECARE LIMITED**

(A Government of India Enterprise)
 Projects Division Corporate Head Office, Poojappura.P.O,
 Thiruvananthapuram – 695012, Kerala, India
 Phn: 0471- 2354949, 2775588

**RENOVATION OF OPD AT PRIMARY HEALTH CENTRES AT NEYYATTINKARA TALUK,
 THIRUVANANTHAPURAM DISTRICT,
 KERALA STATE**

(CIVIL AND ELECTRICAL WORKS ON TURNKEY BASIS)

ABSTRACT PRICE BID

Site. No.	Details of Hospital	Amount Quoted (Rs)
XI A	Renovation Of OPD at Primary Health Centres at Kottukal	
XI B	Renovation Of OPD at Primary Health Centres at Paraneeyam	
XI C	Renovation Of OPD at Primary Health Centres at Poozhanadu	
Total Rs (Including GST):		

Total words in Rupees: _____

* Bidder shall clearly mention whether the GST included or excluded with % in the price bid. If specific indication of GST is not mentioned, then their quoted rate will be treated as inclusive of GST.

Bidder has to quote as per the Make/Brand specified in the BOQ, proposed to use for the project, and has to marks the Make/Brand in the quote / price schedule.

SEAL OF THE TENDERER

Date:

SIGNATURE

NAME AND ADDRESS OF TENDERER

SECTION XI A					
RENOVATION OF OPD AT PRIMARY HEALTH CENTRES AT KOTTUKAL					
Sl.No	DESCRIPTION	QTY	UNIT	RATE	AMOUNT
CIVIL WORKS					
EARTH WORK					
1	"Excavate foundation in all kinds of soil including soft rock except hard rock requiring blasting part return and fill in foundation and basement in layers not exceeding 15cm in depth including watering , breaking clods and consolidating, disposing and spreading surplus earth within the site upto 1.5m depth.(No extra shall be payable for working space) Tenderer to ensure proper dewatering and shoring methods to ensure all time dry condition. Any damages of sides of foundation or collapsing of soil from sides due to excessive water seepage or surface runoff or any other cause have to be replaced with quarry dust or Malaimann at no extra cost."	8.00	M.CUBE		
2	Filling available excavated earth (excluding rock) in trenches, plinth, sides of foundations etc. in layers not exceeding 20cm in depth, consolidating each deposited layer by ramming and watering, lead up to 50 m and lift upto 1.5 m.	12.00	M.CUBE		
CEMENT CONCRETE					
3	Cement concrete 1:5:10 (1 cement ,5 sand , 10 hard blue granite stone metal 40mm and down gauge) laid in layers not exceeding 15cm each in depth and well consolidated in foundation/levelling course including necessary shuttering , in steps, in floors, etc . all complete as directed.	RO	M.CUBE		
4	Cement concrete 1:4:8 (1 cement ,4 sand , 8 hard blue granite stone metal 40mm and down gauge in layers not exceeding 15 cms in depth well consolidated in foundation and levelling course under floors including necessary shuttering, in steps etc all complete as directed.	2.00	M.CUBE		
R.C.C.WORK					
5	"RCC M20 (Design Mix) using hard blue granite metal 20mm and down gauge including centering, shuttering, curing etc., complete but excluding cost of reinforcement Note: Polythene sheet shall be provided under the slabs."				
a	In lintels, bands and bed blocks at all levels.	RO	M.CUBE		
b	In Suspended roof slab of required thicknes	RO	M.CUBE		
c	In Ground Floor	RO	M.CUBE		
6	"High Yield Strength Deformed bars in all RCC items & floorings General Note: Sizes of RCC elements shown in the drawing are only indicative and subject to change .No extra shall be payable on this account. Any change in size of concrete elements resulting in change of area of shuttering due to change in quantity of concrete shall also not be payable""	RO	M.T		

SECTION XI A					
RENOVATION OF OPD AT PRIMARY HEALTH CENTRES AT KOTTUKAL					
Sl.No	DESCRIPTION	QTY	UNIT	RATE	AMOUNT
MASONRY WORK					
7	Brickwork of locally available best quality table moulded bricks of not less than 50kg/sq.cm crushing strength in cement mortar 1:5 (1 cement,5 sand) in foundation and plinth. No extra payment will be paid for any shape or size,turnings, fins, etc unless otherwise specified seperately.	8.00	M.CUBE		
8	Random rubble masonry with hard stone in foundation and plinth including levelling up with cement concrete 1:6:12 (1 cement : 6 coarse sand : 12 graded stone aggregate 20 mm nominal size) upto plinth level with : Cement mortar 1:6 (1 cement : 6 coarse sand)	2.00	M.CUBE		
9	Half brickwork with locally available best quality table moulded bricks of not less than 50kg/sq.cm crushing strength in CM 1:3 (1 cement 3 sand) and reinforced with two numbers of 6mm dia. M.S rods at every fourth course embedded in cement mortar 1:4 for partitions.				
	In Ground Floor	6.00	M.SQ		
FLOORING					
10	Providing & laying first class full body vitrified ceramic tile of make Kajaria/ Restile/Johnson or equivalent of size 600mmx600mmx 9.5mm or approved size of approved colour (matt finish) in flooring using spacer of required size (2mm-4mm) from endura or equivalent over a bed of cement mortar 1:4 of required thickness to match finished floor level mentioned and to match the neighbouring floor finish and jointed with epoxy grout of approved shade from Bal Endura or equivalent brand all complete as directed.(Basic cost of tile - Rs.85/sft).Any difference in basic price and OHP at the time of approval shall be adjusted for the laid area.No extra shall be payable for forming any pattern in the flooring like border, cut tiles,etc.	6.00	M.SQ		
11	Providing and laying 600mm x 600mm or required size from Kajaria/ Restile/Johnson glazed tiles of plain series(Satin finish) in dado set in CM 1:3 with joints so as to form a true & even surface and joints finished neatly with white cement mixed with matching pigments all complete as directed. (Rate should include base plastering with CM 1:5 of required thickness.) The rate shall include cost of providing 6mmx6mm groove in the plastering at top of the tile all complete as directed.(Basic cost of tile - Rs.85/sft).Any difference in basic price and OHP at the time of approval shall be adjusted for the laid area.No extra shall be payable for forming any pattern like border, etc.	24.00	M.SQ		

SECTION XI A					
RENOVATION OF OPD AT PRIMARY HEALTH CENTRES AT KOTTUKAL					
Sl.No	DESCRIPTION	QTY	UNIT	RATE	AMOUNT
12	Providing and laying 18mm thick machine cut and polished Marble slabs (Agaria White) of approved quality ,size and shade over a bed of minimum 20mm thick CM 1:4 on parapet tops, cill tops, planter boxes, door jamps etc including polishing on all exposed sides and rounding off all edges, including providing grooves to required profile all complete as directed.(Basic cost of Granite - Rs.180/sft).Any difference in basic price and OHP at the time of approval shall be adjusted for the laid area.	0.00	M.SQ		
STEEL WORK					
13	Providing and fixing stainless steel (Grade 304) railing made of Hollow tubes, channels, plates etc., including welding, grinding, buffing, polishing and making curvature (wherever required) and fitting the same with necessary stainless steel nuts and bolts complete, i/c fixing the railing with necessary accessories & stainless steel dash fasteners , stainless steel bolts etc., of required size, on the top of the floor or the side of waist slab with suitable arrangement as per approval of Engineer-in incharge, (for payment purpose only weight of stainless steel members shall be considered excluding fixing accessories such as nuts, bolts,fasteners etc.).	15.00	KG		
14	Structural steel work riveted, bolted or welded in built up sections, trusses and framed work, including cutting, hoisting, fixing in position and applying a priming coat of approved steel primer all complete.	80.00	KG		
15	Providing and fixing in position collapsible steel shutters with vertical channels 20x10x2 mm and braced with flat iron diagonals 20x5 mm size, with top and bottom rail of T-iron 40x40x6 mm, with 40 mm dia steel pulleys, complete with bolts, nuts, locking arrangement, stoppers, handles, including applying a priming coat of approved steel primer.	RO	M.SQ		

SECTION XI A					
RENOVATION OF OPD AT PRIMARY HEALTH CENTRES AT KOTTUKAL					
Sl.No	DESCRIPTION	QTY	UNIT	RATE	AMOUNT
ALUMINUM WORK					
16	Providing, fabricating and fixing in position colour anodised aluminium sections of various profiles including louvers, subframes, etc in roof monitor or in other places made out of approved manufacturer section all complete as directed. The rate should also includes providing PU sealent in both inside and outside	0.01	M.T		
17	Providing, fabricating and fixing in position colour anodised Aluminium framed louver with or without fixed glazing panels on side or top all as per Architect's drawings.Fabricated with Aluminium extruded Indal sections of weight specified in the drawing including providing and fixing clear float glass of required thickness and of approved manufacturer and fixed with U-tube glazing gasket snapon beadings,etc. including providing floor springs,locking arrangements etc all complete as per detailed architectural drawing.	RO	M.SQ		
18	Providing and fixing aluminium work for doors, windows, ventilators and partitions with extruded built up standard tubular sections/appropriate Z sections and other sections of approved make conforming to IS: 733 and IS: 1285, fixing with dash fasteners of required dia and size, including necessary filling up the gaps atjunctions, i.e. at top, bottom and sides with required EPDM rubber/ neoprene gasket etc. Aluminium sections shall be smooth, rust free, straight, mitred and jointed mechanically wherever required including cleat angle, Aluminium snap beading for glazing / paneling, C.P. brass / stainless steel screws, all complete as per architectural drawings and the directions of Engineer-in-charge : Powder coated aluminium (minimum thickness of powder coating 50 micron)	0.10	MT		
19	S/F 100mm brass lock for aluminium door including necessary cutting and making good etc. complete	2.00	EACH		
20	Providing and fixing aluminium tower bolts (100*10mm) ISI marked anodised (anodic coating not less than grade AC 10 as per IS : 1868) transparent or dyed to required colour or shade with necessary screws etc. complete :	4.00	EACH		
21	Providing and fixing glazing in aluminum door, window, ventilator shutters and partitions etc. with EPDM rubber / neoprene gasket etc. complete as per the architectural drawings and the directions of Engineer-in- Charge. (Cost of aluminum snap beading shall be paid in basic item): With float glass panes of 5.5 mm thickness.	10.00	SQM		

SECTION XI A					
RENOVATION OF OPD AT PRIMARY HEALTH CENTRES AT KOTTUKAL					
Sl.No	DESCRIPTION	QTY	UNIT	RATE	AMOUNT
22	Providing and fixing anodised aluminium grill (anodised transparent or dyed to required shade according to IS: 1868 with minimum anodic coating of grade AC 15) of approved design/pattern, with approved standard section and fixed to the existing window frame with C.P. brass/ stainless steel screws @ 200 mm centre to centre, including cutting the grill to proper opening size for fixing and operation of handles and fixing approved anodised aluminium standard section around the opening, all complete as per requirement and direction of Engineer-in-charge. (Only weight of grill to be measured for payment).	RO	M.T		
23	Providing and fixing aluminum tubular handle bar 32 mm outer dia, 3.0 mm thick & 2100 mm long with SS screws etc. complete as per direction of Engineerin-Charge. Anodized (AC 15) aluminum tubular handle bar	4.00	EACH		
24	Providing and fixing aluminium hanging floor door stopper ISI marked anodised (anodic coating not less than grade AC 10 as per IS : 1868) transparent or dyed to required colour and shade with necessary screws etc. complete. With twin rubber stopper	2.00	EACH		
25	Providing and fixing double action hydraulic floor spring of approved brand and manufacture IS : 6315 marked, for doors including cost of cutting floors as required, embedding in floors and cover plates with brass pivot and single piece M.S. sheet outer box with slide plate etc. complete as per the direction of Engineer-in-charge. With Brass cover Plate	2.00	EACH		
26	Providing and fixing 12 mm thick pre laminated particle board flat pressed three layer or graded wood particle board conforming to IS: 12823 Grade I Type II, in paneling fixed in aluminum doors, windows shutters and partition frames with C.P. brass / stainless steel screws etc. complete as per architectural drawings and directions of Engineer-inCharge. Pre-laminated particle board with decorative lamination on both sides	15.00	SQM		

SECTION XI A					
RENOVATION OF OPD AT PRIMARY HEALTH CENTRES AT KOTTUKAL					
Sl.No	DESCRIPTION	QTY	UNIT	RATE	AMOUNT
27	24 mm thick factory made PVC door shutters made of styles and rails of a uPVC hollow section of size 59x24 mm and wall thickness 2 mm (± 0.2 mm) with inbuilt edging on both sides. The styles and rails mitred and joint at the corners by means of M.S. galvanised/ plastic brackets of size 75x220 mm having wall thickness 1.0 mm and stainless steel screws. The styles of the shutter reinforced by inserting galvanised M.S. tube of size 20x20 mm and 1 mm (± 0.1 mm) wall thickness. The lock rail made up of 'H' section, a uPVC hollow section of size 100x24 mm and 2 mm (± 0.2 mm) wall thickness, fixed to the shutter styles by means of plastic/galvanised M.S. 'U' cleats. The shutter frame filled with a uPVC multi-chambered single panel of size not less than 620 mm, having over all thickness of 20 mm and 1 mm (± 0.1 mm) wall thickness. The panels filled vertically and tie bar at two places by inserting horizontally 6 mm galvanised M.S. rod and fastened with nuts and washers, complete as per manufacturer's specification and direction of Engineer-in-charge. (For W.C. and bathroom door shutter).	4.00	SQM		
28	Providing and fixing cup board shutters 25 mm thick, with Pre-laminated flat pressed three layer particle board or graded wood particle board IS: 12823 marked, exterior grade (Grade I Type II), having one side decorative lamination and other side balancing lamination, including IInd class teak wood lipping of 25 mm wide x12 mm thick with necessary screws and bright finished stainless steel piano hinges, complete as per direction of the Engineer-in-Charge	RO	SQM		
ROOFING					
29	Supplying and embedding P.V.C rain water pipes of approved quality embedded inside the RC columns/masonry in position with all necessary specials like shoes , bends or any other specials required to suit site conditions etc., jointed with wavin cement and lubricants with necessary MS clamps,brackets ,bolts and nuts all complete as directed. 110mm dia-6kg/sq.cm"	RO	R.M		

SECTION XI A					
RENOVATION OF OPD AT PRIMARY HEALTH CENTRES AT KOTTUKAL					
Sl.No	DESCRIPTION	QTY	UNIT	RATE	AMOUNT
30	Supply and Laying in cladding & Roofing COLOUR COATED sheet with guard flim made out of 0.5mm TCT 550MPa cold rolled sheet with hot dip metallic coating of Aluminium Zinc alloy 150gms/sq.m.The colour shall have a total coating thickness of 35 microns of an super Polyester colorbond XRW quality paint system or equivalent as per AS/NZS-2728:1997 (category 3), comprising of 20 microns exterior coat on top surface and 5 micron reverse coat on back surface over 5 micron primer coat on both surfaces and having 975/1000mm cover width with 26mm high crest at 195/200mm c/c in lengths as approved by Architect also to suit to site requirements and fixed with necessary suitable imported galvanized carbon steel self drilling and self tapping screws of BUILDEX or corroshield confirming to ASTM 3566-1990 (class-III) of required diameter and length as approved all complete with EPDM sealing washers, foam fillers wherever necessary, silicon sealent wherever necessary. The RAL Colour shall be 9006. No extra payable due to shade selection.	10.00	SQM		
PLASTERING					
31	Prepare surfaces and plaster with CM 1:3(1 cement, 3 sand) ,12mm minimum thick (sponge finish) to ceiling sides and soffit of beams and columns and other interior and exterior RCC surfaces not contiguous to masonry.	48.00	M.SQ		
32	Prepare surfaces and plaster with CM 1:5(1 cement, 5 sand) ,12mm minimum thick to all interior faces of walls (sponge finish) including RCC surfaces not contiguous to masonry.Necessary internal grooves of size 10mmx10mm shall be carried out as shown/directed by engineer-in-charge.	RO	M.SQ		
PAINTING					
33	Prepare surfaces and paint two coats of plastic emulsion paint of approved colour over two coats of Gypsum punning of 6 mm minimum thick and primer all complete as per manufacturers specifications to all ceilings in all floors.	RO	M.SQ		
34	Finishing with oil bound washable Interior Emulsion of approved brand and manufacture to give an even shade : New work (two or more coats) over and including water thinnable priming coat with cement primer	1222.00	M.SQ		
35	Painting wood work with Deluxe Multi Surface Paint of required shade. Two or more coat applied @ 0.90 ltr/10 sqm over an under coat of primer applied @0.75 ltr/10 sqm of approved brand and manufacture	6.00	M.SQ		
36	Painting Steel work with Deluxe Multi Surface Paint to give an even shade. Two or more coat applied @ 0.90 ltr/ 10 sqm over an under coat of primer applied @ 0.80 ltr/ 10 sqm of approved brand and manufacture	6.00	M.SQ		

SECTION XI A					
RENOVATION OF OPD AT PRIMARY HEALTH CENTRES AT KOTTUKAL					
Sl.No	DESCRIPTION	QTY	UNIT	RATE	AMOUNT
37	Providing and applying plaster of paris putty of 2 mm thickness over plastered surface to prepare the surface even and smooth complete.	RO	M.SQ		
38	Removing white or colour wash by scrapping and sand papering and preparing the surface smooth including necessary repairs to scratches etc. complete	1625.00	M.SQ		
39	Finishing with Deluxe Multi surface paint system for exteriors using Primer as per manufacturers specifications : Two or more coats applied on walls @ 1.25 ltr/10 sqm	403.00	M.SQ		
DISMANTLING					
40	Dismantling plastered brickwalls in cement mortar including cleaning, stacking the useful materials as directed by engineer-in-charge and dumping the dismantled debris as indicated at site, levelling, consolidating, all complete as directed and disposing the debris away from site all complete as directed.	2.00	M.CUBE		
41	Dismantling the existing RCC concrete including cutting the reinforcement, stacking the useful materials as directed by engineer-in-charge, dumping the dismantled debris as indicated at site, leveling, consolidating, all complete as directed and disposal of debris away from site all complete.	1.00	M.CUBE		
42	Dismantling cement concrete including disposing the debris away from site as directed by engineer in charge all complete.	1.00	M.CUBE		
43	Dismantling Tiles Flooring and walls and disposing the debris away from site all complete as directed.	6.00	M.SQ		
PATHWAY					
44	Providing and laying cement concrete paver blocks of thick 80mm made out of M25 design mix of shape and profile as approved by architect .The rate should include cost of necessary excavation, RIVER SAND upto a depth of 50mm pointing in CM 1:3 all complete as directed.(For purpose of payment total laid area in length multiplied by width in plan will be paid.) Tenderer to submit necessary pamphlets along with tender.	15.00	M.SQ		
PLUMBING					
45	Providing and fixing gun metal gate valve with C.I. wheel of approved quality -25MM	2	M.SQ		
46	Providing and fixing C.P. brass angle valve for basin mixer and geyserpoints of approved quality conforming to IS:8931 a) 15 mm nominal bore: 15 mm nominal bore.Make:Hindware,Cera,Jaquar etc..	2	EACH		

SECTION XI A					
RENOVATION OF OPD AT PRIMARY HEALTH CENTRES AT KOTTUKAL					
Sl.No	DESCRIPTION	QTY	UNIT	RATE	AMOUNT
47	Providing and fixing PTMT Bottle Trap for Wash basin and sink. Bottle trap 38mm single piece moulded with height of 270mm, effective length of tail pipe 260mm from the centre of the waste coupling 77mm breadth with 25mm minimum water seal, weighing not less than 263gms.	RO	EACH		
48	Providing and fixing trap of self cleansing design with screwed down or hinged grating with or without vent arm complete, including cost of cutting and making good the walls and floors : 100 mm inlet and 100 mm outlet	2	EACH		
49	Constructing brick masonry manhole in cement mortar 1:4 (1 cement : 4 coarse sand) with R.C.C. top slab with 1:2:4 mix (1 cement : 2 coarse sand : 4 graded stone aggregate 20 mm nominal size), foundation concrete 1:4:8 mix (1 cement : 4 coarse sand : 8 graded stone aggregate 40 mm nominal size), inside plastering 12 mm thick with cement mortar 1:3 (1 cement : 3 coarse sand) finished with floating coat of neat cement and making channels in cement concrete 1:2:4 (1 cement : 2 coarse sand : 4 graded stone aggregate 20 mm nominal size) finished with a floating coat of neat cement complete as per standard design : With common burnt clay F.P.S designation 7.5	RO	EACH		
50	Providing and fixing square – mouth PVC. Gully trap grade “A” complete with CI grating brick masonry chamber with water tight tight CI cover with frame of 300 x 300mm size (inside) the weight of cover to be not less than 4.50 kg and frame to be not less than 2.70 kg as per standard design	RO	EACH		
51	Providing and fixing white vitreous china pedestal type water closet (European type W.C. pan) with seat and lid, 10 litre low level white P.V.C. flushing cistern, including flush pipe, with manually controlled device (handle lever), conforming to IS : 7231, with all fittings and fixtures complete, including cutting and making good the walls and floors wherever required : W.C. pan with ISI marked white solid plastic seat and lid	2	EACH		
52	Providing and fixing wash basin with C.I. brackets, 15 mm C.P. brass pillar taps, 32 mm C.P. brass waste of standard pattern, including painting of fittings and brackets, cutting and making good the walls wherever required: White Vitreous China Wash basin size 630x450 mm with a pair of 15 mm C.P. brass pillar taps	2	EACH		
53	Supplying and providing Polyethylene Septic Tanks unique size and 3 chamber design with all accessories branded like United , for a capacity of 5000 litre (100 flush/day) including all material and labour charge for fittings	RO	Ls		

SECTION XI A					
RENOVATION OF OPD AT PRIMARY HEALTH CENTRES AT KOTTUKAL					
Sl.No	DESCRIPTION	QTY	UNIT	RATE	AMOUNT
54	Providing and fixing Chlorinated Polyvinyl Chloride (CPVC) pipes, having thermal stability for hot & cold water supply including all CPVC plain & brass threaded fittings i/c fixing the pipe with clamps at 1.00 m spacing. This includes jointing of pipes & fittings with one step CPVC solvent cement and the cost of cutting chases and making good the same including testing of joints complete as per direction of Engineer in Charge. Concealed work including cutting chases and making good the walls etc				
a	20 mm nominal outer dia .Pipes	24	RM		
b	32 mm nominal outer dia Pipes	12	RM		
c	50 mm nominal outer dia Pipes	0	RM		
55	Providing and fixing Stainless Steel A ISI 304 (18/8) kitchen sink as per IS: 13983 with C.I. brackets and stainless steel plug 40 mm, including painting of fittings and brackets, cutting and making good the walls wherever required ::(Lowest retail price of sink not less than Rs. 3150)				
	Kitchen sink without drain board, Size -610x510 mm bowl depth 200 mm	0	EACH		
56	Providing and fixing PVC Waste pipe for sink or wash basin including PVC waste fittings complete.::Semi rigid pipe 32mm dia	2	EACH		
57	Providing and fixing CP Waste coupling for wash basin and sink of approved quality, colour and make. Waste coupling 31mm of 79mm length and 62mm breadth, weighing not less than 45 gms. Make:Hindware,Jaquar etc.,	2	EACH		
58	Extra for providing opening of required size & shape for wash basin/ kitchen sink in kitchen platform, vanity counter and similar location in marble/ Granite/stone work, including necessary holes for pillar taps etc. including moulding, rubbing and polishing of cut edges etc. complete.	RO	EACH		
59	Providing and fixing 600x450 mm beveled edge mirror of superior glass (of approved quality) complete with 6 mm thick hard board ground fixed to wooden cleats with C.P. brass screws and washers complete.	2	EACH		
60	Providing and fixing PTMT towel rail complete with brackets fixed to wooden cleats with CP brass screws with concealed fitting arrangement of approved quality and colour. 600mm long towel rail with total length of 645mm, width 78mm and effective height of 88mm, weighing not less than 190gms.	2	EACH		
61	Providing and fixing PTMT liquid soap container 109mm wide, 125mm high and 112mm distance from wall of standard shape with bracket of the same materials with snap fittings of approved quality and colour. weighing not less than 105 gms.	2	EACH		

SECTION XI A					
RENOVATION OF OPD AT PRIMARY HEALTH CENTRES AT KOTTUKAL					
Sl.No	DESCRIPTION	QTY	UNIT	RATE	AMOUNT
62	Providing & fixing of CP Health faucet. Hand operated spray unit (instand type)	2	Set		
63	Providing and fixing PVC pipes for water supply arrangements including cost pipes, fittings, solvent cement,testing of pipes, labour charges etc complete : Concealed work including cutting chases and making good the wall etc				
a	20mm dia. PVC pipe	0	RM		
b	25mm dia. PVC pipe	36	RM		
c	32mm dia. PVC pipe	0	RM		
64	Providing and fixing CP grating of 6mm thick with rim including setting in floor with white cement mortar and making good the floor				
	125mm dia	0	EACH		
65	Providing and fixing PVC soil, waste and vent pipe to IS : 13592 of SWR quality including all fittings, like : Bends, Tees, Elbows, Collars, junction, inspection doors, cowls, offsets, access pipes, jointing with rubber ring / solvent cement by application of leak proof adhesive like FRP paste including cutting holes in walls and floors and making good. Make:Supreme,Finolex,Prince etc.,				
	50mm dia	0	RM		
	110mm dia	12	RM		
CURTAIN WORK					
66	1.Two range of curtain cloth – Type 1 - II. 2. Both for doors, windows and partions. 3. Assorted colours plain & prints 4.Stitched as per site/ size requirement 5.Minor modifications in stitching as per site/ size requirement 6.Preferred colour (Brown, Cream, Beige) 7.Curtain price (including cloth & curtain rod) to be quoted in Squire metre 8.Stitching for each curtain to be absorb in the price of the cloth generally 2 meters. 9.Fast colours, water wash 10.Fabric density Non Transparent Composition 11.Fabric of curtain shall be soft texture, great shading, drape effect and nice doobby. 12.The bracket shall be side mounted and front mounted as required 13.First rod mount is 3.5 inches from the wall. 14.Where curtain used as a partition/ long length, sufficient support from ceiling should be provided to avoid sagging. 15.Rate quoted for fully stitched Curtain with top nepha with punch holes after lining bucramreinforced with SS / PVC islets and lower nepha 200mm double turned.				
	Type -I (Surgical Curtain)				
a	Curtain fabric weight shall be up to 275-300 ($\pm 5\%$) gsm Composition of fabric shall be polyester yarn I.E. 300 denier fast colour sink age shall be ($\pm 5\%$) Weft and warp shall be polyester / cotton polyester mix	0	M.SQ		

SECTION XI A					
RENOVATION OF OPD AT PRIMARY HEALTH CENTRES AT KOTTUKAL					
Sl.No	DESCRIPTION	QTY	UNIT	RATE	AMOUNT
	Type - II (Window & Door Curtain)				
b	Curtain fabric weight shall be up to 250-275 ($\pm 5\%$) gsm Composition of fabric shall be polyester yarn I.E. 300 denier fast colour sink age shall be ($\pm 5\%$) Weft and warp shall be polyester / cotton polyester mix	0	M.SQ		
FALSE CEILING					
67	Providing & Fixing of False ceiling shall be provided with Armstrong Lay in (Hot dipped galvanized steel) metal ceiling system 600 X 600 X 5 mm with standard perforation of 2.5 mm dia. (16% open space) and fleece with NRC of 70 & CAC 36 to be laid on Armstrong Grid system. Armstrong Orcal Lay in metal ceiling system consisting of 600 X 600 mm Lay in tiles of pre coated galvanized steel in 0.5 mm thickness in white colour with standard perforation of 2.5 mm dia. and open area of 16 %. The back of tiles should have black acoustical fleece with NRC of .70 & CAC 36 to be laid on Armstrong Grid system with 15 mm wide T section flanges Colour white having rotary stitching on the main Runner, 1200 mm & 600 mm cross Tees, fixed to the structural soffit by Butterfly clip hangers, suspension wires & anchor fasteners as per manufacturers specification. Suspension wires to be provided at every 600 mm c/c with two numbers ties on each anchor fastener, Perimeter trim of Trulok wall angle in white colour secured to wall at 450 mm maximum centers.	12.00	M.SQ		
Total Civil works					

SECTION XI A					
RENOVATION OF OPD AT PRIMARY HEALTH CENTRES AT KOTTUKAL					
Sl.No	DESCRIPTION	QTY	UNIT	RATE	AMOUNT
ELECTRICAL WORKS					
1	Point wiring in PVC conduit with modular type switch.				
	Wiring for light point/fan point/exhaust fan point /call bell point with 1.5 sq mm FR PVC insulated copper conductor single core cable in surface/recessed medium class PVC conduit, with modular switch, modular plate, suitable PVC box and earthing the point with 1.5 sq.mm FR PVC insulated copper conductor single core cable etc as required.				
	Group C	0	Point		
2	Wiring through PVC conduit				
	Wiring for circuit/submain wiring along with earth wire with the following sizes of FR PVC insulated copper conductor, single core cable in surface/recessed medium class PVC conduit as required.(Make:Havells/Finolex/V-guard/Polycab)				
a	2X1.5 sq.mm + 1X1.5 sq.mm earth wire	25	Metre		
b	2X2.5 sq.mm + 1 X2.5 sq mm earth wire	50	Metre		
c	2X4 sq.mm + 1X4 sq.mm earth wire	0	Metre		
3	Telephone wiring in existing conduit:				
	Supplying and drawing following pair 0.5 sq mm FR PVC insulated annealed copper conductor, unarmored telephone cable in the existing surface/ recessed steel/ PVC conduit as required.				
a	2 Pair	0	Metre		
4	A/C point				
	S/F 20A SPN MCB industrial socket outlet: Supplying and fixing 20 amps, 240 volts, SPN industrial type, socket outlet, with 2 pole and earth, metal enclosed plug top alongwith 20 amps "C" curve, SP, MCB, in sheet steel enclosure, on surface or in recess, with chained metal cover for the socket outlet and complete with connections, testing and commissioning etc. as required.(Make: Legrand/Havells/HPL)	0	Point		
5	Modular type blanking plate:				
	Supplying and fixing modular blanking plate on the existing modular plate & switch box excluding modular plate as required.(Make: Legrand/Havells/HPL)	2	Each		
6	Modular boxes, bases & cover plate:				
	Supplying and fixing following size/modules, GI box along with modular base & cover plate for modular switches in recess etc as required.(Make: Legrand/Havells/HPL)				
a	3 module	3	Each		
b	6 module	4	Each		
7	Modular type switch/socket:				
	Supplying and fixing following modular switch/socket on the existing modular plate & switch box including connections but excluding modular plate etc as required. (Make: Legrand/Havells/HPL)				
a	5/6 Amps switch	10	Each		
b	3 pin 5/6 Amp socket outlet	10	Each		
c	15/16 Amps switch	0	Each		

SECTION XI A					
RENOVATION OF OPD AT PRIMARY HEALTH CENTRES AT KOTTUKAL					
Sl.No	DESCRIPTION	QTY	UNIT	RATE	AMOUNT
d	6pin 15/16 Amps (universal) socket outlet	0	Each		
e	Telephone socket outlet	0	Each		
8	S/F PVC conduit:				
	Supplying and fixing of following sizes of medium class PVC conduit along with accessories in surface/recess including cutting the wall and making good the same in case of recessed conduit as required.(ISI Make)				
a	25 mm	55	Metre		
9	ITC Fluorescent fitting directly on surface: Installation, testing and commissioning of pre-wired, fluorescent fitting / compact fluorescent fitting/LED of all types, complete with all accessories and tube etc. directly on ceiling/ wall, including connection with 1.5 sq. mm FR PVC insulated, copper conductor, single core cable and earthing etc. as required.	0	Each		
10	ITC Ceiling fan: Installation, testing and commissioning of ceiling fan, including wiring the down rods of standard length (upto 30 cm) with 1.5 sq. mm FR PVC insulated, copper conductor, single core cable etc. as required.	0	Each		
11	Supplying and fixing two module stepped type electronic fan regulator on the existing modular plate switch box including connections but excluding modular plate etc. as required.	0	Each		
12	CABLE SUPPLY, LAYING AND TERMINATION				
	Wiring for circuit/ submain wiring along with earth wire with the following sizes of FR PVC insulated copper conductor, single core cable in surface/ recessed medium class PVC conduit as required.				
a	From Main to DB				
	2 X 4 sq. mm + 1 X 4 sq. mm earth wire	20	Metre		
13	Supply of 15W LED tube fitting sleek with decorative end cap, powder coated CRCA steel channel complete with all electrical accessories like electronic ballast, lamp holder, 28W LED lamp etc complete as required. (Philips / Wipro /HAVELLS)	0	Each		
13.1	Supply and installation of 18 W CFL with its all accessories.[ISI MAKE]	2	Each		
14	Supply and installation of 1200 mm sweep Ceiling fan, white colour, 5 star rated as per BEE complete with blades, down rod, shackle, canopy etc(Make Havells/bajaj/usha/V-guard/crompton)	0	Each		

SECTION XI A					
RENOVATION OF OPD AT PRIMARY HEALTH CENTRES AT KOTTUKAL					
Sl.No	DESCRIPTION	QTY	UNIT	RATE	AMOUNT
15	S/F SP & N DB:				
	Supplying and fixing following way prewired SP&N MCB, distribution board of steel sheet for 240 volts on surface/recess complete with loose wire box, terminal connectors for all incoming and outgoing circuits, duly prewired with suitable size FR PVC insulated copper conductor up to terminal blocks, tinned copper bus bar, neutral link, earth bar, detachable gland plate, interconnections, powder painted including earthing etc.as required(But without MCB/RCCB/Isolator) (Make: Legrand/Havells/HPL)				
	8 way SPN, double door	1	Each		
15.1	S/F of DP ISOLATOR				
	Supplying and fixing following rating, double pole, (single phase and neutral), 240 volts, ISOLATOR having a sensitivity current upto 100 to 300 milliamperes in the existing MCB DB complete with connections, testing and commissioning etc, as required. (Make: Legrand/Havells/HPL)				
	40 A, DP isolator	1	Each		
15.2	S/F of SP MCB				
	Supplying and fixing 6 amps to 10 amps rating, 240 Volts, "C" series, miniature circuit breaker suitable for lighting and other loads of following poles in the existing MCB DB complete with connections, testing and commissioning etc as required. (Make: Legrand/Havells/HPL)				
	6/10A SP MCB	6	Each		
16	Miscellaneous Items				
16.1	Miscellaneous electrical work, removing of existing conduits and interconnections of light,6A socket/16A socket/A/C point from existing DB	0	LS		
16.2	Miscellaneous work for removing & supply of old 3 nos of 5A switch & 5A sockets and 2-bulb, 1-CFL with its all accessories only as per the direction of engineer in charge.[ISI MAKE]	0	LS		
	Total Electrical works				
				Grand TOTAL	
				TAXES	
				GRAND TOTAL (INCLUSIVE OF TAXES)	
I agree to complete the work as per the schedule at the rates quoted by me as above.					
BIDDER					

* RO -Rate Only
LS-Lump Sum

SECTION XI B					
RENOVATION OF OPD AT PRIMARY HEALTH CENTRES AT PARANEYYAM					
Sl.No	DESCRIPTION	QTY	UNIT	RATE	AMOUNT
CIVIL WORKS					
EARTH WORK					
1	"Excavate foundation in all kinds of soil including soft rock except hard rock requiring blasting part return and fill in foundation and basement in layers not exceeding 15cm in depth including watering , breaking clods and consolidating, disposing and spreading surplus earth within the site upto 1.5m depth.(No extra shall be payable for working space) Tenderer to ensure proper dewatering and shoring methods to ensure all time dry condition. Any damages of sides of foundation or collapsing of soil from sides due to excessive water seepage or surface runoff or any other cause have to be replaced with quarry dust or Malaimann at no extra cost."	4.00	M.CUBE		
2	Filling available excavated earth (excluding rock) in trenches, plinth, sides of foundations etc. in layers not exceeding 20cm in depth, consolidating each deposited layer by ramming and watering, lead up to 50 m and lift upto 1.5 m.	2.00	M.CUBE		
CEMENT CONCRETE					
3	Cement concrete 1:5:10 (1 cement ,5 sand , 10 hard blue granite stone metal 40mm and down gauge) laid in layers not exceeding 15cm each in depth and well consolidated in foundation/levelling course including necessary shuttering , in steps, in floors, etc . all complete as directed.	QRO	M.CUBE		
4	Cement concrete 1:4:8 (1 cement ,4 sand , 8 hard blue granite stone metal 40mm and down gauge in layers not exceeding 15 cms in depth well consolidated in foundation and levelling course under floors including necessary shuttering, in steps etc all complete as directed.	1.00	M.CUBE		
R.C.C.WORK					
5	"RCC M20 (Design Mix) using hard blue granite metal 20mm and down gauge including centering, shuttering, curing etc., complete but excluding cost of reinforcement Note: Polythene sheet shall be provided under the slabs."				
a	In lintels, bands and bed blocks at all levels.	2.00	M.CUBE		
b	In Suspended roof slab of required thicknes	QRO	M.CUBE		
c	In Ground Floor	QRO	M.CUBE		
6	"High Yield Strength Deformed bars in all RCC items & floorings General Note: Sizes of RCC elements shown in the drawing are only indicative and subject to change .No extra shall be payable on this account. Any change in size of concrete elements resulting in change of area of shuttering due to change in quantity of concrete shall also not be payable""	0.10	M.T		

SECTION XI B					
RENOVATION OF OPD AT PRIMARY HEALTH CENTRES AT PARANEEYAM					
Sl.No	DESCRIPTION	QTY	UNIT	RATE	AMOUNT
MASONRY WORK					
7	Brickwork of locally available best quality table moulded bricks of not less than 50kg/sq.cm crushing strength in cement mortar 1:5 (1 cement,5 sand) in foundation and plinth. No extra payment will be paid for any shape or size,turnings, fins, etc unless otherwise specified seperately.	1.00	M.CUBE		
8	Random rubble masonry with hard stone in foundation and plinth including levelling up with cement concrete 1:6:12 (1 cement : 6 coarse sand : 12 graded stone aggregate 20 mm nominal size) upto plinth level with : Cement mortar 1:6 (1 cement : 6 coarse sand)	QRO	M.CUBE		
9	Half brickwork with locally available best quality table moulded bricks of not less than 50kg/sq.cm crushing strength in CM 1:3 (1 cement 3 sand) and reinforced with two numbers of 6mm dia. M.S rods at every fourth course embedded in cement mortar 1:4 for partitions.				
	In Ground Floor	36.00	M.SQ		
FLOORING					
10	Providing & laying first class full body vitrified ceramic tile of make Kajaria/ Restile/Johnson or equivqlent of size 600mmx600mmx 9.5mm or approved size of approved colour (matt finish) in flooring using spacer of required size (2mm-4mm) from endura or equivalent over a bed of cement mortar 1:4 of required thickness to match finished floor level mentioned and to match the neighbouring floor finish and jointed with epoxy grout of approved shade from Bal Endura or equivalent brand all complete as directed.(Basic cost of tile - Rs.85/sft).Any difference in basic price and OHP at the time of approval shall be adjusted for the laid area.No extra shall be payable for forming any pattern in the flooring like border, cut tiles,etc.	0.00	M.SQ		
11	Providing and laying 600mm x 600mm or required size from Kajaria/ Restile/Johnson glazed tiles of plain series(Satin finish) in dado set in CM 1:3 with joints so as to form a true & even surface and joints finished neatly with white cement mixed with matching pigments all complete as directed. (Rate should include base plastering with CM 1:5 of required thickness.) The rate shall include cost of providing 6mmx6mm groove in the plastering at top of the tile all complete as directed.(Basic cost of tile - Rs.85/sft).Any difference in basic price and OHP at the time of approval shall be adjusted for the laid area.No extra shall be payable for forming any pattern like border, etc.	0.00	M.SQ		

SECTION XI B					
RENOVATION OF OPD AT PRIMARY HEALTH CENTRES AT PARANEYYAM					
Sl.No	DESCRIPTION	QTY	UNIT	RATE	AMOUNT
12	Providing and laying 18mm thick machine cut and polished Marble slabs (Agaria White) of approved quality ,size and shade over a bed of minimum 20mm thick CM 1:4 on parapet tops, cill tops, planter boxes, door jumps etc including polishing on all exposed sides and rounding off all edges, icluding providing grooves to required profile all complete as directed.(Basic cost of Granite - Rs.180/sft).Any difference in basic price and OHP at the time of approval shall be adjusted for the laid area.	0.00	M.SQ		
STEEL WORK					
13	Providing and fixing stainless steel (Grade 304) railing made of Hollow tubes, channels, plates etc., including welding, grinding, buffing, polishing and making curvature (wherever required) and fitting the same with necessary stainless steel nuts and bolts complete, i/c fixing the railing with necessary accessories & stainless steel dash fasteners , stainless steel bolts etc., of required size, on the top of the floor or the side of waist slab with suitable arrangement as per approval of Engineer-in incharge, (for payment purpose only weight of stainless steel members shall be considered excluding fixing accessories such as nuts, bolts,fasteners etc.).	QRO	KG		
14	Structural steel work riveted, bolted or welded in built up sections, trusses and framed work, including cutting, hoisting, fixing in position and applying a priming coat of approved steel primer all complete.	988.00	KG		
15	Providing and fixing in position collapsible steel shutters with vertical channels 20x10x2 mm and braced with flat iron diagonals 20x5 mm size, with top and bottom rail of T-iron 40x40x6 mm, with 40 mm dia steel pulleys, complete with bolts, nuts, locking arrangement, stoppers, handles, including applying a priming coat of approved steel primer.	QRO	M.SQ		
ALUMINUM WORK					
16	Providing, fabricating and fixing in position colour anodised aluminium sections of various profiles including louvers, subframes, etc in roof monitor or in other places made out of approved manufacturer section all complete as directed. The rate should also includes providing PU sealent in both inside and outside	0.05	M.T		
17	Providing, fabricating and fixing in position colour anodised Aluminium framed louver with or without fixed glazing panels on side or top all as per Architect's drawings.Fabricated with Aluminium extruded Indal sections of weight specified in the drawing including providing and fixing clear float glass of required thickness and of approved manufacturer and fixed with U-tube glazing gasket snapon beadings,etc. including providing floor springs,locking arrangements etc all complete as per detailed architectural drawing.	RO	M.SQ		

SECTION XI B					
RENOVATION OF OPD AT PRIMARY HEALTH CENTRES AT PARANEYYAM					
Sl.No	DESCRIPTION	QTY	UNIT	RATE	AMOUNT
18	Providing and fixing aluminium work for doors, windows, ventilators and partitions with extruded built up standard tubular sections/appropriate Z sections and other sections of approved make conforming to IS: 733 and IS: 1285, fixing with dash fasteners of required dia and size, including necessary filling up the gaps at junctions, i.e. at top, bottom and sides with required EPDM rubber/ neoprene gasket etc. Aluminium sections shall be smooth, rust free, straight, mitred and jointed mechanically wherever required including cleat angle, Aluminium snap beading for glazing / paneling, C.P. brass / stainless steel screws, all complete as per architectural drawings and the directions of Engineer-in-charge : Powder coated aluminium (minimum thickness of powder coating 50 micron)	0.28	MT		
19	S/F 100mm brass lock for aluminium door including necessary cutting and making good etc. complete	7.00	EACH		
20	Providing and fixing aluminium tower bolts (100*10mm) ISI marked anodised (anodic coating not less than grade AC 10 as per IS : 1868) transparent or dyed to required colour or shade with necessary screws etc. complete :	8.00	EACH		
21	Providing and fixing glazing in aluminum door, window, ventilator shutters and partitions etc. with EPDM rubber / neoprene gasket etc. complete as per the architectural drawings and the directions of Engineer-in- Charge. (Cost of aluminum snap beading shall be paid in basic item): With float glass panes of 5.5 mm thickness.	38.00	SQM		
22	Providing and fixing anodised aluminium grill (anodised transparent or dyed to required shade according to IS: 1868 with minimum anodic coating of grade AC 15) of approved design/pattern, with approved standard section and fixed to the existing window frame with C.P. brass/ stainless steel screws @ 200 mm centre to centre, including cutting the grill to proper opening size for fixing and operation of handles and fixing approved anodised aluminium standard section around the opening, all complete as per requirement and direction of Engineer-in-charge. (Only weight of grill to be measured for payment).	0.04	M.T		
23	Providing and fixing aluminum tubular handle bar 32 mm outer dia, 3.0 mm thick & 2100 mm long with SS screws etc. complete as per direction of Engineerin-Charge. Anodized (AC 15) aluminum tubular handle bar	16.00	EACH		
24	Providing and fixing aluminium hanging floor door stopper ISI marked anodised (anodic coating not less than grade AC 10 as per IS : 1868) transparent or dyed to required colour and shade with necessary screws etc. complete. With twin rubber stopper	8.00	EACH		

SECTION XI B					
RENOVATION OF OPD AT PRIMARY HEALTH CENTRES AT PARANEYYAM					
Sl.No	DESCRIPTION	QTY	UNIT	RATE	AMOUNT
25	Providing and fixing double action hydraulic floor spring of approved brand and manufacture IS : 6315 marked, for doors including cost of cutting floors as required, embedding in floors and cover plates with brass pivot and single piece M.S. sheet outer box with slide plate etc. complete as per the direction of Engineer-in-charge. With Brass cover Plate	8.00	EACH		
26	Providing and fixing 12 mm thick pre laminated particle board flat pressed three layer or graded wood particle board conforming to IS: 12823 Grade I Type II, in paneling fixed in aluminum doors, windows shutters and partition frames with C.P. brass / stainless steel screws etc. complete as per architectural drawings and directions of Engineer-inCharge. Pre-laminated particle board with decorative lamination on both sides	68.00	SQM		
27	24 mm thick factory made PVC door shutters made of styles and rails of a uPVC hollow section of size 59x24 mm and wall thickness 2 mm (± 0.2 mm) with inbuilt edging on both sides. The styles and rails mitred and joint at the corners by means of M.S. galvanised/ plastic brackets of size 75x220 mm having wall thickness 1.0 mm and stainless steel screws. The styles of the shutter reinforced by inserting galvanised M.S. tube of size 20x20 mm and 1 mm (± 0.1 mm) wall thickness. The lock rail made up of 'H' section, a uPVC hollow section of size 100x24 mm and 2 mm (± 0.2 mm) wall thickness, fixed to the shutter styles by means of plastic/galvanised M.S. 'U' cleats. The shutter frame filled with a uPVC multi-chambered single panel of size not less than 620 mm, having over all thickness of 20 mm and 1 mm (± 0.1 mm) wall thickness. The panels filled vertically and tie bar at two places by inserting horizontally 6 mm galvanised M.S. rod and fastened with nuts and washers, complete as per manufacturer's specification and direction of Engineer-in-charge. (For W.C. and bathroom door shutter).	QRO	SQM		
28	Providing and fixing cup board shutters 25 mm thick, with Pre-laminated flat pressed three layer particle board or graded wood particle board IS: 12823 marked, exterior grade (Grade I Type II), having one side decorative lamination and other side balancing lamination, including IInd class teak wood lipping of 25 mm wide x12 mm thick with necessary screws and bright finished stainless steel piano hinges, complete as per direction of the Engineer-in-Charge	QRO	SQM		

SECTION XI B					
RENOVATION OF OPD AT PRIMARY HEALTH CENTRES AT PARANEYYAM					
Sl.No	DESCRIPTION	QTY	UNIT	RATE	AMOUNT
ROOFING					
29	Supplying and embedding P.V.C rain water pipes of approved quality embedded inside the RC columns/masonry in position with all necessary specials like shoes , bends or any other specials required to suit site conditions etc., jointed with wavin cement and lubricants with necessary MS clamps,brackets ,bolts and nuts all complete as directed. 110mm dia-6kg/sq.cm"	QRO	R.M		
30	Supply and Laying in cladding & Roofing COLOUR COATED sheet with guard flim made out of 0.5mm TCT 550MPa cold rolled sheet with hot dip metallic coating of Aluminium Zinc alloy 150gms/sq.m.The colour shall have a total coating thickness of 35 microns of an super Polyester colorbond XRW quality paint system or equivalent as per AS/NZS-2728:1997 (category 3), comprising of 20 microns exterior coat on top surface and 5 micron reverse coat on back surface over 5 micron primer coat on both surfaces and having 975/1000mm cover width with 26mm high crest at 195/200mm c/c in lengths as approved by Architect also to suit to site requirements and fixed with necessary suitable imported galvanized carbon steel self drilling and self tapping screws of BUILDEX or corroshield confirming to ASTM 3566-1990 (class-III) of required diameter and length as approved all complete with EPDM sealing washers, foam fillers wherever necessary, silicon sealent wherever necessary. The RAL Colour shall be 9006. No extra payable due to shade selection.	52.00	SQM		
PLASTERING					
31	Prepare surfaces and plaster with CM 1:3(1 cement, 3 sand) ,12mm minimum thick (sponge finish) to ceiling sides and soffit of beams and columns and other interior and exterior RCC surfaces not contiguous to masonry.	82.00	M.SQ		
32	Prepare surfaces and plaster with CM 1:5(1 cement, 5 sand) ,12mm minimum thick to all interior faces of walls (sponge finish) including RCC surfaces not contiguous to masonry.Necessary internal grooves of size 10mmx10mm shall be carried out as shown/directed by engineer-in-charge.	QRO	M.SQ		
PAINING					
33	Prepare surfaces and paint two coats of plastic emulsion paint of approved colour over two coats of Gypsum punning of 6 mm minimum thick and primer all complete as per manufacturers specifications to all ceilings in all floors.	QRO	M.SQ		
34	Finishing with oil bound washable Interior Emulsion of approved brand and manufacture to give an even shade : New work (two or more coats) over and including water thinnable priming coat with cement primer	286.00	M.SQ		

SECTION XI B					
RENOVATION OF OPD AT PRIMARY HEALTH CENTRES AT PARANEYYAM					
Sl.No	DESCRIPTION	QTY	UNIT	RATE	AMOUNT
35	Painting wood work with Deluxe Multi Surface Paint of required shade. Two or more coat applied @ 0.90 ltr/10 sqm over an under coat of primer applied @0.75 ltr/10 sqm of approved brand and manufacture	6.00	M.SQ		
36	Painting Steel work with Deluxe Multi Surface Paint to give an even shade. Two or more coat applied @ 0.90 ltr/ 10 sqm over an under coat of primer applied @ 0.80 ltr/ 10 sqm of approved brand and manufacture	62.00	M.SQ		
37	Providing and applying plaster of paris putty of 2 mm thickness over plastered surface to prepare the surface even and smooth complete.	QRO	M.SQ		
38	Removing white or colour wash by scrapping and sand papering and preparing the surface smooth including necessary repairs to scratches etc. complete	875.00	M.SQ		
39	Finishing with Deluxe Multi surface paint system for exteriors using Primer as per manufacturers specifications : Two or more coats applied on walls @ 1.25 ltr/10 sqm	589.00	M.SQ		
DISMANTLING					
40	Dismantling plastered brickwalls in cement mortar including cleaning, stacking the useful materials as directed by engineer-in-charge and dumping the dismantled debris as indicated at site, levelling, consolidating, all complete as directed and disposing the debris away from site all complete as directed.	2.00	M.CUBE		
41	Dismantling the existing RCC concrete including cutting the reinforcement, stacking the useful materials as directed by engineer-in-charge, dumping the dismantled debris as indicated at site, leveling, consolidating, all complete as directed and disposal of debris away from site all complete.	QRO	M.CUBE		
42	Dismantling Aluminium Partition including disposing the debris away from site as directed by engineer in charge all complete.	36.00	M.SQ		
43	Dismantling Tiles Flooring and walls and disposing the debris away from site all complete as directed.	4.00	M.SQ		
PATHWAY					
44	Providing and laying cement concrete paver blocks of thick 80mm made out of M25 design mix of shape and profile as approved by architect .The rate should include cost of necessary excavation, RIVER SAND upto a depth of 50mm pointing in CM 1:3 all complete as directed.(For purpose of payment total laid area in length multiplied by width in plan will be paid.) Tenderer to submit necessary pamphlets along with tender.	48.00	M.SQ		

SECTION XI B					
RENOVATION OF OPD AT PRIMARY HEALTH CENTRES AT PARANEYYAM					
Sl.No	DESCRIPTION	QTY	UNIT	RATE	AMOUNT
PLUMBING					
A	SANITARYWARE AND CP FITTINGS				
	Note:1 Bidder may add items thought necessary at the end of this BOQ along with the quantities and rate.				
	Note:2 Rates under Supply and Fixing will include (a). Cost of specified material with taxes and transporting to site, (b). stacking and storing them at site, (c.) Lead and lift to convey the materials with in the site for installation of materials in their position as needed (d.) Cutting the masonry or concrete surfaces to facilitate fixing (e.) Restoring damaged portions to their original condition with supply of materials like cement, river sand, stone chips, brick etc. (f.) convey all the broken materials taken out of damaged portion within the toilet & shaft area by head load via staircase, to be dumped out of the work site for onward clearance by another agency (g.) all the works are to be carried out as per description mentioned against each item of work mentioned in schedule of quantities (h.) all tools and plants needed for the job to be brought in by the contractor at their cost including maintenance expenses, replacement at their cost wherever required – either in full or in part (i.) fixing materials like rackets, screws, bolts, nuts etc.				
1	Supplying,installing,testing and commissioning of Parryware make cascade NXT range white/popular color wall mounted European Water closet with slim line dual flush cistern-"P" trap,Ultra solid seat cover with rubber buffers and flap including following accessories : brass screws with washer, pan connector, rag bolt/CI chair bracket with GI bolt and nuts etc.complete. Works including cutting and making good the walls /floor wherever required, including cost and conveyance of all materials to the site, all labour charges, all taxes etc., complete finished item of work and as directed by the SiteEngineer/Project In-Charge. The side gap between ewc mouth and pan connector to be filled with silicon sealant.				
1.1	EWC-Wall mounted closet with"P"trap, Make- Parryware,Range-Cascade NXT,Model no-C0207				
1.2	Seat cover-Range-ultra solid seat cover,model no-C8140				
1.3	Slim line economy dual flush pvc cistern model no: C8109				
1.4	Pan Connector,Cp/Pvc connection tube				
1.5	Wallvit pan fittings-C8015				
1.6	15mm cp brass angular stop cock with wall flange-Jaquar - Continental-model no-CON-053				
1.7	Sumo Chair Brackets-Parryware-C8166				
1.8	Providing and fixing of cascade NXT White color EWC Wallvit pan set (Compactible With Differently Abled Persons Toilet)	0	Set		

SECTION XI B					
RENOVATION OF OPD AT PRIMARY HEALTH CENTRES AT PARANEYYAM					
Sl.No	DESCRIPTION	QTY	UNIT	RATE	AMOUNT
2	Supplying,Storing,Leading, Installing,Testing and commissioning of White Color Rectangular Wash basin . Works including following accessories; 32mm dia CP brass waste coupling, 32mm dia CP brass bottle trap with extension pipe, 15mm dia CP brass Angle valve, CP connections tupe, CP extention nipple, CP wall flange, Fisher bolt/Rag bolt, and necessary all hardware materials like brass screws, washer and nuts etc. complete. Works including necessary cutting and making finishing the wall and floors wherever required etc. complete.				
2.1	Rectangular Wash basin -Parryware-Indus range-Size-550x450,model no:0471				
2.2	CP waste coupling - Jaquar - Allied -Model no:705/709cp				
2.3	CP Pillar cock with Auto closing system - PRS-031				
2.4	CP bottle trap - Jaquar - Allied -Model no:769cp				
2.5	15mm cp brass angular stop cock with wall flange-Jaquar - Continental-model no-CON-053				
2.6	Cp connection tube,Rag bolt/bracket for basin				
2.7	Providing and fixing of White color Rectangular wash basin set	QRO	Set		
3	Supplying,Storing,Leading, Installing,Testing and commissioning of White Color Under Counter Oval Wash basin . Works including following accessories; 32mm dia CP brass waste coupling, 32mm dia CP brass bottle trap with extension pipe, 15mm dia CP brass Angle valve, CP connections tupe, CP extention nipple, CP wall flange, basin brackets, and necessary all hardware materials like brass screws, washer etc. complete. Works including necessary cutting and making finishing the wall and floors wherever required etc. complete.				
3.1	Oval Wash basin - Parryware - Cascade NXT - Size-550x450, model no: C0407				
3.2	CP waste coupling - Jaquar - Allied -Model no:705/709cp				
3.3	CP Pillar cock with Auto closing system - PRS-031				
3.4	CP bottle trap - Jaquar - Allied -Model no:769cp				
3.5	15mm cp brass angular stop cock with wall flange-Jaquar - Continental-model no-CON-053				
3.6	Cp connection tube,Sumo bracket for basin				
3.7	Providing and fixing of White Color Oval wash basin set	0	Set		
4	Supplying and fixing of 15mm CP Pillar cock with Auto closing system for wash trough & etc. complete.				
4.1	Jaquar-Pressmatic tap-model no:031	QRO	Each		
5	Supplying and fixing 15mm CP Hand wash tap for wash basin (Floor mounted type) etc. complete.				
5.1	Jaquar-florentine-model no:5357	QRO	Each		

SECTION XI B					
RENOVATION OF OPD AT PRIMARY HEALTH CENTRES AT PARANEYYAM					
Sl.No	DESCRIPTION	QTY	UNIT	RATE	AMOUNT
6	Supplying, Storing, leading ,installing,testing and commissioning Stainless steel sink with waste coupling - Single bowl with single drain board manufactured from high quality premium SS304 stainless steel, supporting bracket with screws etc.complete.Works including cutting and making good the walls /floor wherever required, including cost and conveyance of all materials to the site, all labour charges, all taxes etc., complete, finished item of work and as directed by the SiteEngineer/ In-Charge.				
6.1	a)SS sink with Singlebowl with drain board-40"X20"-Bowl size:20"X16"X8"- Parryware-model no:8531,	QRO	Each		
7	Supplying and fixing 15mm CP brass Sink cock with regular swinging spout(wall mounted) etc.complete				
7.1	Sink cock-Jaquar-Florentine-model no:5347cp	QRO	Each		
8	Supplying,installing, testing and commissioning of white color New magnum urinal with integrated spreader with cp connection pipe and elbow & nipple, waste coupling, 32mm bottle trap ,Fisher bolts/brackets,washers, screws etc.complete. Works including cutting and making good the walls /floor wherever required, cost including of conveyance of all materials to the site, all labour charges, complete.etc.complete				
8.1	New magnum urinal - Parryware- 590x400x390 model no:0575				
8.2	Parryware-Urinal spreader-C8095cp				
8.3	Jaquar-Urinal Valve Auto Closing System with in built control cock-model no:077 cp				
8.4	CP bottle trap,CP waste coupling - Jaquar - Allied-Model no:769,705/709				
8.5	CP connection pipe,elbow & nipple				
8.6	Providing and fixing of White Color New magnum Urinal set	0	Each		
9	Supplying,installing,testing and commissioning of 15mm CP angle valve with flange including necessary screws for aqua guard etc.complete.				
9.1	Angle valve-Jaquar-Continental-model no:053cp	QRO	Each		
10	Supplying and fixing of CP brass angular stop cock with Health Faucet and 1 m flexible tube with wall hook,screws etc.complete.				
10.1	Jaquar-Allied-model no:573cp				
10.2	15mm cp brass angular stop cock with wall flange-Jaquar - Continental-model no-CON-053	0	Set		
11	Supplying and fixing 15mm CP Long body bib tap with flange for janitor closet areas etc. complete.				
11.1	Jaquar-continental-model no:107	0	Each		
12	Supplying and fixing of Jaquar make 15mm CP short body bib tap with flange for ewc closet areas etc. complete.				
12.1	CP Short body bib tap-Jaquar-Continental range-model no:037	0	Each		

SECTION XI B					
RENOVATION OF OPD AT PRIMARY HEALTH CENTRES AT PARANEYYAM					
Sl.No	DESCRIPTION	QTY	UNIT	RATE	AMOUNT
13	Supplying,instaling,testing and commissioning of electric water heater with CP angle valve, Conection tube swith wall flange, clamped to the wall etc. complete				
13.1	30lit.capacity water heater-Racold ariston model-fibre body				
13.2	15mm cp brass angular stop cock with wall flange-Jaquar - Continental-model no-CON-053	QRO	Each		
14	Supplying and fixing Compact hand towell dispenser,accomadates 150 towels (Kimberly clark make) for wash basin fixing with necessary screws etc., complete				
14.1	Compact towell dispenser(Pearl white)-01132;size-270X190X115mm				
14.2	Kleenex multi fold towels-01221,1 packet=125 sheets	QRO	Each		
15	Supplying and fixing of Jaquar make Soap dispenser with glass bottle for wash basin areas etc. complete.				
15.1	Soap dispenser with glass bottle-Jaquar-Continental range-model no:ACN-1135N	0	Each		
16	Supplying and fixing of Jaquar make cp Double coat hook fixing with necessary screws etc., complete				
16.1	Jaquar-Kubix-model no:ACN-35761	0	Each		
17	Supplying and fixing exposed type Toilet paper holder with out flap fixing with necessary screws etc., complete				
17.1	Jaquar-continental-model no:1151N-cp	0	Each		
18	Supplying and fixing cp Towel ring- fixing with necessary screws etc., complete				
18.1	Jaquar-Continental-model no:1121BN	0	Each		
19	Supplying and fixing cp Towel rod- fixing with necessary screws etc., complete				
19.1	Jaquar-Continental-model no:1111cp	QRO	Each		
20	Supplying, fixing and commissioning of Urinal Granite partition allround polished of size 450x900x18mm/20mm thick,(shape as per architectural drg)using 2 nos ss clamps embedded in 150 x 150 PCC pocket etc.complete	0	Each		
21	Supplying and fixing of approved make 6mm thick mirror- 450 x 750 mm size for wash trough areas - with Teak wood frame and water proofed plywood backing, including polishing etc. complete	0	Each		

SECTION XI B					
RENOVATION OF OPD AT PRIMARY HEALTH CENTRES AT PARANEEYAM					
Sl.No	DESCRIPTION	QTY	UNIT	RATE	AMOUNT
B	INTERNAL DRAINAGE SYSTEM				
	Rates under Supply and Fixing will include (a). Cost of specified material with taxes and transporting to site, (b). stacking and storing them at site, (c.) Lead and lift to convey the materials with in the site for installation of materials in their position as needed (d.) Cutting the masonry or concrete surfaces to facilitate fixing (e.) Restoring damaged portions to their original condition with supply of materials like cement, river sand, stone chips, brick etc. (f.) convey all the broken materials taken out of damaged portion within the toilet & shaft area by head load via staircase, to be dumped out of the work site for onward clearance by another agency (g.) all the works are to be carried out as per description mentioned against each item of work mentioned in schedule of quantities (h.) all tools and plants needed for the job to be brought in by the contractor at their cost including maintenance expenses, replacement at their cost wherever required – either in full or in part (i.) fixing materials like rackets, screws, bolts, nuts etc.				
1	Supplying, fixing and testing of approved make of 10kg PVC pipes confirming to IS 4985-2000. and fittings (moulded and fabriacted fittings) such as tee, elbow, 'y' , coupler, etc confirming to IS 7834 with latest amendment for soil and waste pipe works in toilets and utility area,basement storm water drain etc. Pipes shall be laid in sunken floors as per approved drawings with gradient mentined in the drawings with proper brick pedestal supprotts. For laying the pipes in walls, before chasing, the pipe line routing shall be marked using chaulk line with help of tupe level, wall cutting shall be done using wall cutting machine, and chasing to be done using electric jack hammer machine. Cutting and chasing with hammer shall not be permitteted. Pipes and fittings shall be cleaned with pipe cleaners and joined by approved approved make solvent cement. After laying the pipes, before cloasing tthe pipes, gravity test to be conducted and got the approval from the site engineers. chased portitions shall be covered with cement mortar. Work includes making required size holes in brick walls wherever necessary and re do same with water proofing components to the entire satisfaction of site engineer.etc complete. All the stub outs shall be closed with proper end caps till of installation of sanitraywares and accessories etc. complete.				
1.1	40mm dia Sch-80 upvc pipe for flush valve drain	0	RM		
1.2	40mm dia	0	RM		
1.3	50mm dia	12	RM		
1.4	63mm dia	QRO	RM		

SECTION XI B					
RENOVATION OF OPD AT PRIMARY HEALTH CENTRES AT PARANEYYAM					
Sl.No	DESCRIPTION	QTY	UNIT	RATE	AMOUNT
2	Supplying, fixing and testing of approved make of SWR - B- Class PVC pipes and fittings confirming to IS 13592-1992. and fittings (available fittings in market and fabricated fittings) such as tee, elbow, 'y', coupler, etc. confirming to 14735 with latest amendment for soil and waste pipe works in toilets and utility area,etc. Pipes shall be laid in sunken for all floor toilets as per approved drawings with gradient mentioned in the drawings with proper supports. Wall cutting shall be done using wall cutting machine, and chasing to be done using electric jack hammer machine. Cutting and chasing with hammer shall not be permitted. Pipes and fittings shall be cleaned with pipe cleaners and joined by approved approved make solvent cement. After laying the pipes, before closing the pipes, gravity test to be conducted and got the approval from the site engineers. chased portions shall be covered with cement mortar. Work includes making required size holes in brick walls wherever necessary and re do same with water proofing components to the entire satisfaction of site engineer.etc complete. All the stub outs shall be closed with proper end caps till of installation of sanitarywares and accessories etc. complete.				
2.1	75mm dia	0	RM		
2.2	110mm dia	0	RM		
3	Providing and Laying Plain cement concrete (1:4:8) encasing for internal pipes laid in sunken floor, 100mm thick around the pipes with the help of necessary wooden shuttering etc. complete.				
3.1	75 to 110mm dia	0.00	M3		
4	Fabricating, supplying, and fixing of Truebore make 4mm wall thickness uPVC Floor traps, made out of 110mm dia PVC Pipe with single or multiple inlets of size 40mm to 75mm dia.(boss tee connections), outlets of sizes 63 mm to 75mm, with min.2" water seal, fixing in position, using cement concrete 100 mm around to full depth of trap/suspended in ceiling level with proper supports, including providing FRP matting at bottom, inlet and outlet etc, complete.	0	Each		
5	Supplying,fixing and testing of PVC 'P' trap 110mm dia extension boss tee arrangements with female thread fix with the Stainless steel heavy duty clean out in male thread with gasket and three ss screws/PVC heavy duty clean out for urinals, etc., complete	0	Nos		
6	Supplying,fixing and testing of Heavy duty Floor Clean Out which are provided in floors slab ,with female thread fix with the SS/Pvc heavy duty clean out plug in male thread with gasket and 110mm dia boss tee arrangements etc. complete				
6.1	75 mm dia	0	Nos		
6.2	110 mm dia	0	Nos		

SECTION XI B					
RENOVATION OF OPD AT PRIMARY HEALTH CENTRES AT PARANEEYAM					
Sl.No	DESCRIPTION	QTY	UNIT	RATE	AMOUNT
7	Drilling with core cutting in RCC beams, slabs, floors etc.,for laying pipes and rendering the same in RCC 1:2:4, finishing the same to the satisfaction of the Owner or his authorized representative etc.,including nominal reinforcement where ever required, complete. The quoted rate shall also include for providing EPOXY based water proofing compound for sealing the joints around the pipes. Core cut shall be done using rebar detector after getting the approval from the structural consultant..				
	a) RCC beams				
7.1	25mm dia upto 50 mm	0	Each		
7.2	50mm dia upto 110 mm	QRO	Each		
7.3	110mm dia. upto 160 mm	QRO	Each		
7.4	160mm upto 250mm	QRO	Each		
8	Fabricating brackets using Mild Steel flats or angles, cutting, welding, forming shapes, providing hot dip galvanizing for brackets, cutting pockets in masonry / concrete surfaces, grouting brackets in concrete of 1:2:4 mix, restoring the damaged portion to their original condition required materials etc. complete.	0	Kg		
9	Supplying and fixing of pvc grating of approved make, fixed over the floor trap. Works including cleaning of floor traps befor fixing the gratings. While fixing the gratings, flooring should be cutted to required size of grating,(not more than 2mm of the grating sizes) using tile cutter etc. complete. The gap should be fillied with colored white cement to match the flooring colour. The colour and shape of the gratings shall be got the approval from the architects/consultants	0	Each		
10	Supplying and fixing of Chilly make CP Anti cockroach floor trap gratings which consisting floor drain grating, inner filter and outfilter and rim , fixed over the floor trap. Works including cleaning of floor traps befor fixing the gratings. While fixing the gratings, flooring should be cutted to required size of grating,(not more than 2mm of the grating sizes) using tile cutter etc. complete. The gap should be fillied with colored white cement to match the flooring colour. The colour and shape of the gratings shall be got the approval from the architects/consultants. To avoid damage of the cp gratings, acid cleaning of flooring shall be done before fixing of gratings.	QRO	Each		
11	CURTAIN WORK				
	1.Two range of curtain cloth – Type 1 - II.				
	2. Both for doors, windows and partions.				
	3. Assorted colours plain & prints				
	4.Stitched as per site/ size requirement				
	5.Minor modifications in stitching as per site/ size requirement				
	6.Preferred colour (Brown, Cream, Beige)				
	7.Curtain price (including cloth & curtain rod) to be quoted in Squire metre				
	8.Stitching for each curtain to be absorb in the price of the cloth generally 2 meters.				
	9.Fast colours, water wash				
	10.Fabric density Non Transparent Composition				

SECTION XI B					
RENOVATION OF OPD AT PRIMARY HEALTH CENTRES AT PARANEYYAM					
Sl.No	DESCRIPTION	QTY	UNIT	RATE	AMOUNT
	11.Fabric of curtain shall be soft texture, great shading, drape effect and nice doobby.				
	12.The bracket shall be side mounted and front mounted as required				
	13.First rod mount is 3.5 inches from the wall.				
	14.Where curtain used as a partition/ long length, sufficient support from ceiling should be provided to avoid sagging.				
	15.Rate quoted for fully stitched Curtain with top nepha with punch holes after lining bucramreinforced with SS / PVC islets and lower nepha 200mm double turned.				
a	Type -I (Surgical Curtain)				
	Curtain fabric weight shall be up to 275-300 ($\pm 5\%$) gsm Composition of fabric shall be polyester yarn I.E. 300 denier fast colour sink age shall be ($\pm 5\%$) Weft and warp shall be polyester / cotton polyester mix	0	M.SQ		
	Type - II (Window & Door Curtain)				
b	Curtain fabric weight shall be up to 250-275 ($\pm 5\%$) gsm Composition of fabric shall be polyester yarn I.E. 300 denier fast colour sink age shall be ($\pm 5\%$) Weft and warp shall be polyester / cotton polyester mix	0	M.SQ		
12	FALSE CEILING				
	Providing & Fixing of False ceiling shall be provided with Armstrong Lay in (Hot dipped galvanized steel) metal ceiling system 600 X 600 X 5 mm with standard perforation of 2.5 mm dia. (16% open space) and fleece with NRC of 70 & CAC 36 to be laid on Armstrong Grid system. Armstrong Orcal Lay in metal ceiling system consisting of 600 X 600 mm Lay in tiles of pre coated galvanized steel in 0.5 mm thickness in white colour with standard perforation of 2.5 mm dia. and open area of 16 %. The back of tiles should have black acoustical fleece with NRC of .70 & CAC 36 to be laid on Armstrong Grid system with 15 mm wide T section flanges Colour white having rotary stitching on the main Runner, 1200 mm & 600 mm cross Tees, fixed to the structural soffit by Butterfly clip hangers, suspension wires & anchor fasteners as per manufacturers specification. Suspension wires to be provided at every 600 mm c/c with two numbers ties on each anchor fastener, Perimeter trim of Trulok wall angle in white colour secured to wall at 450 mm maximum centers.	RO	M.SQ		
	Total Civil works				

SECTION XI B					
RENOVATION OF OPD AT PRIMARY HEALTH CENTRES AT PARANEEYAM					
Sl.No	DESCRIPTION	QTY	UNIT	RATE	AMOUNT
ELECTRICAL WORKS					
1	Point wiring in PVC conduit with modular type switch.				
	Wiring for light point/fan point/exhaust fan point /call bell point with 1.5 sq mm FR PVC insulated copper conductor single core cable in surface/recessed medium class PVC conduit, with modular switch, modular plate, suitable PVC box and earthing the point with 1.5 sq.mm FR PVC insulated copper conductor single core cable etc as required.				
	Group C	0	Point		
2	Wiring through PVC conduit				
	Wiring for circuit/submain wiring along with earth wire with the following sizes of FR PVC insulated copper conductor, single core cable in surface/recessed medium class PVC conduit as required.(Make:Havells/Finolex/V-guard/Polycab)				
a	2X1.5 sq.mm + 1X1.5 sq.mm earth wire	30	Metre		
b	2X2.5 sq.mm + 1 X2.5 sq mm earth wire	75	Metre		
c	2X4 sq.mm + 1X4 sq.mm earth wire	0	Metre		
3	Telephone wiring in existing conduit:				
	Supplying and drawing following pair 0.5 sq mm FR PVC insulated annealed copper conductor, unarmored telephone cable in the existing surface/ recessed steel/ PVC conduit as required.				
a	2 Pair	0	Metre		
4	A/C point				
	S/F 20A SPN MCB industrial socket outlet: Supplying and fixing 20 amps, 240 volts, SPN industrial type, socket outlet, with 2 pole and earth, metal enclosed plug top alongwith 20 amps "C" curve, SP, MCB, in sheet steel enclosure, on surface or in recess, with chained metal cover for the socket out let and complete with connections, testing and commissioning etc. as required.(Make: Legrand/Havells/HPL)	0	Point		
5	Modular type blanking plate:				
	Supplying and fixing modular blanking plate on the existing modular plate & switch box excluding modular plate as required.(Make: Legrand/Havells/HPL)	2	Each		
6	Modular boxes, bases & cover plate:				
	Supplying and fixing following size/modules, GI box along with modular base & cover plate for modular switches in recess etc as required.(Make: Legrand/Havells/HPL)				
a	3 module	3	Each		
b	6 module	4	Each		
7	Modular type switch/socket:				
	Supplying and fixing following modular switch/socket on the existing modular plate & switch box including connections but excluding modular plate etc as required. (Make: Legrand/Havells/HPL)				
a	5/6 Amps switch	8	Each		

SECTION XI B					
RENOVATION OF OPD AT PRIMARY HEALTH CENTRES AT PARANEYYAM					
Sl.No	DESCRIPTION	QTY	UNIT	RATE	AMOUNT
b	3 pin 5/6 Amp socket outlet	8	Each		
c	15/16 Amps switch	0	Each		
d	6pin 15/16 Amps (universal) socket outlet	0	Each		
e	Telephone socket outlet	0	Each		
8	S/F PVC conduit:				
	Supplying and fixing of following sizes of medium class PVC conduit along with accessories in surface/recess including cutting the wall and making good the same in case of recessed conduit as required.(ISI Make)				
a	25 mm	80	Metre		
9	ITC Fluorescent fitting directly on surface: Installation, testing and commissioning of pre-wired, fluorescent fitting / compact fluorescent fitting/LED of all types, complete with all accessories and tube etc. directly on ceiling/ wall, including connection with 1.5 sq. mm FR PVC insulated, copper conductor, single core cable and earthing etc. as required.	0	Each		
10	ITC Ceiling fan: Installation, testing and commissioning of ceiling fan, including wiring the down rods of standard length (upto 30 cm) with 1.5 sq. mm FR PVC insulated, copper conductor, single core cable etc. as required.	3	Each		
11	Supplying and fixing two module stepped type electronic fan regulator on the existing modular plate switch box including connections but excluding modular plate etc. as required.	3	Each		
11.1	Supply and installation wall fan, white colour, 5 star rated as per BEE complete with its all accessories(Make Havells/bajaj/usha/V-guard)	0	Each		
12	CABLE SUPPLY, LAYING AND TERMINATION				
	Wiring for circuit/ submain wiring along with earth wire with the following sizes of FR PVC insulated copper conductor, single core cable in surface/ recessed medium class PVC conduit as required.				
a	From Main to DB				
	2 X 4 sq. mm + 1 X 4 sq. mm earth wire	20	Metre		
13	Supply of 15W LED tube fitting sleek with decorative end cap, powder coated CRCA steel channel complete with all electrical accessories like electronic ballast, lamp holder, 28W LED lamp etc complete as required. (Philips / Wipro /HAVELLS)	0	Each		
13.1	Supply and installation of 18 W CFL with its all accessories.[ISI MAKE]	0	Each		
14	Supply and installation of 1200 mm sweep Ceiling fan, white colour, 5 star rated as per BEE complete with blades, down rod, shackle, canopy etc(Make Havells/bajaj/usha/V-guard/crompton)	3	Each		

SECTION XI B					
RENOVATION OF OPD AT PRIMARY HEALTH CENTRES AT PARANEYYAM					
Sl.No	DESCRIPTION	QTY	UNIT	RATE	AMOUNT
15	S/F SP & N DB:				
	Supplying and fixing following way prewired SP&N MCB, distribution board of steel sheet for 240 volts on surface/recess complete with loose wire box, terminal connectors for all incoming and outgoing circuits, duly prewired with suitable size FR PVC insulated copper conductor up to terminal blocks, tinned copper bus bar, neutral link, earth bar, detachable gland plate, interconnections, powder painted including earthing etc.as required(But without MCB/RCCB/Isolator) (Make: Legrand/Havells/HPL)				
	8 way SPN, double door	1	Each		
15.1	S/F of DP ISOLATOR				
	Supplying and fixing following rating, double pole, (single phase and neutral), 240 volts, ISOLATOR having a sensitivity current upto 100 to 300 milliamperes in the existing MCB DB complete with connections, testing and commissioning etc, as required.(Make: Legrand/Havells/HPL)				
	40 A, DP isolator	1	Each		
15.2	S/F of SP MCB				
	Supplying and fixing 6 amps to 10 amps rating, 240 Volts, "C" series, miniature circuit breaker suitable for lighting and other loads of following poles in the existing MCB DB complete with connections, testing and commissioning etc as required.(Make: Legrand/Havells/HPL)				
	6/10A SP MCB	6	Each		
16	Miscellaneous Items				
16.1	Miscellaneous electrical work, removing of existing conduits and interconnections of light,6A socket/16A socket/A/C point from existng DB	0	LS		
16.2	Miscellaneous work for fixing of new 1 nos of 3 star rated ceiling fan and 1 no of 18 w LED Tube light with its all accessories only as per the direction of engineer in charge.[ISI MAKE]	1	LS		
	Total Electrical works				
	Grand TOTAL				
	TAXES				
	GRAND TOTAL (INCLUSIVE OF TAXES)				
I agree to complete the work as per the schedule at the rates quoted by me as above.					
BIDDER					

* QRO - Quoted Rate Only
 LS - Lump Sum

SECTION XI C					
RENOVATION OF OPD AT PRIMARY HEALTH CENTRES AT POOZHANADU					
SL.No	DESCRIPTION	QTY	UNIT	RATE	AMOUNT
CIVIL WORKS					
EARTH WORK					
1	"Excavate foundation in all kinds of soil including soft rock except hard rock requiring blasting part return and fill in foundation and basement in layers not exceeding 15cm in depth including watering , breaking clods and consolidating, disposing and spreading surplus earth within the site upto 1.5m depth.(No extra shall be payable for working space) Tenderer to ensure proper dewatering and shoring methods to ensure all time dry condition. Any damages of sides of foundation or collapsing of soil from sides due to excessive water seepage or surface runoff or any other cause have to be replaced with quarry dust or Malaimann at no extra cost."	6.00	M.CUBE		
2	Filling available excavated earth (excluding rock) in trenches, plinth, sides of foundations etc. in layers not exceeding 20cm in depth, consolidating each deposited layer by ramming and watering, lead up to 50 m and lift upto 1.5 m.	4.00	M.CUBE		
CEMENT CONCRETE					
3	Cement concrete 1:5:10 (1 cement ,5 sand , 10 hard blue granite stone metal 40mm and down gauge) laid in layers not exceeding 15cm each in depth and well consolidated in foundation/levelling course including necessary shuttering , in steps, in floors, etc . all complete as directed.	QRO	M.CUBE		
4	Cement concrete 1:4:8 (1 cement ,4 sand , 8 hard blue granite stone metal 40mm and down gauge in layers not exceeding 15 cms in depth well consolidated in foundation and levelling course under floors including necessary shuttering, in steps etc all complete as directed.	4.00	M.CUBE		
R.C.C.WORK					
5	"RCC M20 (Design Mix) using hard blue granite metal 20mm and down gauge including centering, shuttering, curing etc., complete but excluding cost of reinforcement Note: Polythene sheet shall be provided under the slabs."				
a	In lintels, bands and bed blocks at all levels.	QRO	M.CUBE		
b	In Suspended roof slab of required thicknes	QRO			
c	In Ground Floor	2.00	M.CUBE		
6	"High Yield Strength Deformed bars in all RCC items & floorings General Note: Sizes of RCC elements shown in the drawing are only indicative and subject to change .No extra shall be payable on this account. Any change in size of concrete elements resulting in change of area of shuttering due to change in quantity of concrete shall also not be payable""	0.10	M.T		

SECTION XI C					
RENOVATION OF OPD AT PRIMARY HEALTH CENTRES AT POOZHANADU					
SL.No	DESCRIPTION	QTY	UNIT	RATE	AMOUNT
MASONRY WORK					
7	Brickwork of locally available best quality table moulded bricks of not less than 50kg/sq.cm crushing strength in cement mortar 1:5 (1 cement,5 sand) in foundation and plinth. No extra payment will be paid for any shape or size,tumings, fins, etc unless otherwise specified seperately.	1.00	M.CUBE		
8	Random rubble masonry with hard stone in foundation and plinth including levelling up with cement concrete 1:6:12 (1 cement : 6 coarse sand : 12 graded stone aggregate 20 mm nominal size) upto plinth level with : Cement mortar 1:6 (1 cement : 6 coarse sand)	QRO	M.CUBE		
9	Half brickwork with locally available best quality table moulded bricks of not less than 50kg/sq.cm crushing strength in CM 1:3 (1 cement 3 sand) and reinforced with two numbers of 6mm dia. M.S rods at every fourth course embedded in cement mortar 1:4 for partitions.				
	In Ground Floor	32.00	M.SQ		
FLOORING					
10	Providing and laying Ceramic glazed floor tiles of size 300x300 mm (thickness to be specified by the manufacturer) of 1st quality conforming to IS : 15622 of approved make in colours such as White, Ivory, Grey, Fume Red Brown, laid on 20 mm thick cement mortar 1:4 (1 Cement : 4 Coarse sand), jointing with grey cement slurry @ 3.3kg/sqm including pointing the joints with white cement and matching pigment etc., complete.	52.00	M.SQ		
11	Providing and laying 600mm x 600mm or required size from Kajaria/ Restile/Johnson glazed tiles of plain series(Satin finish) in dado set in CM 1:3 with joints so as to form a true & even surface and joints finished neatly with white cement mixed with matching pigments all complete as directed. (Rate should include base plastering with CM 1:5 of required thickness.) The rate shall include cost of providing 6mmx6mm groove in the plastering at top of the tile all complete as directed.(Basic cost of tile - Rs.85/sft).Any difference in basic price and OHP at the time of approval shall be adjusted for the laid area.No extra shall be payable for forming any pattern like border, etc.	0.00	M.SQ		
12	Providing and laying 18mm thick machine cut and polished Marble slabs (Agaria White) of approved quality ,size and shade over a bed of minimum 20mm thick CM 1:4 on parapet tops, cill tops, planter boxes, door jumps etc including polishing on all exposed sides and rounding off all edges, icluding providing grooves to required profile all complete as directed.(Basic cost of Granite - Rs.180/sft).Any difference in basic price and OHP at the time of approval shall be adjusted for the laid area.	0.00	M.SQ		

SECTION XI C					
RENOVATION OF OPD AT PRIMARY HEALTH CENTRES AT POOZHANADU					
SL.No	DESCRIPTION	QTY	UNIT	RATE	AMOUNT
STEEL WORK					
13	Providing and fixing stainless steel (Grade 304) railing made of Hollow tubes, channels, plates etc., including welding, grinding, buffing, polishing and making curvature (wherever required) and fitting the same with necessary stainless steel nuts and bolts complete, i/c fixing the railing with necessary accessories & stainless steel dash fasteners , stainless steel bolts etc., of required size, on the top of the floor or the side of waist slab with suitable arrangement as per approval of Engineer-in incharge, (for payment purpose only weight of stainless steel members shall be considered excluding fixing accessories such as nuts, bolts,fasteners etc.).	10.00	KG		
14	Structural steel work riveted, bolted or welded in built up sections, trusses and framed work, including cutting, hoisting, fixing in position and applying a priming coat of approved steel primer all complete.	786.00	KG		
15	Providing and fixing in position collapsible steel shutters with vertical channels 20x10x2 mm and braced with flat iron diagonals 20x5 mm size, with top and bottom rail of T-iron 40x40x6 mm, with 40 mm dia steel pulleys, complete with bolts, nuts, locking arrangement, stoppers, handles, including applying a priming coat of approved steel primer.	QRO	M.SQ		
ALUMINUM WORK					
16	Providing, fabricating and fixing in position colour anodised aluminium sections of various profiles including louvers, subframes, etc in roof monitor or in other places made out of approved manufacturer section all complete as directed. The rate should also includes providing PU sealent in both inside and outside	0.05	M.T		
17	Providing, fabricating and fixing in position colour anodised Aluminium framed louver with or without fixed glazing panels on side or top all as per Architect's drawings.Fabricated with Aluminium extruded Indal sections of weight specified in the drawing including providing and fixing clear float glass of required thickness and of approved manufacturer and fixed with U-tube glazing gasket snapon beadings,etc. including providing floor springs,locking arrangements etc all complete as per detailed architectural drawing.	QRO	M.SQ		

SECTION XI C					
RENOVATION OF OPD AT PRIMARY HEALTH CENTRES AT POOZHANADU					
SL.No	DESCRIPTION	QTY	UNIT	RATE	AMOUNT
18	Providing and fixing aluminium work for doors, windows, ventilators and partitions with extruded built up standard tubular sections/appropriate Z sections and other sections of approved make conforming to IS: 733 and IS: 1285, fixing with dash fasteners of required dia and size, including necessary filling up the gaps at junctions, i.e. at top, bottom and sides with required EPDM rubber/ neoprene gasket etc. Aluminium sections shall be smooth, rust free, straight, mitred and jointed mechanically wherever required including cleat angle, Aluminium snap beading for glazing / paneling, C.P. brass / stainless steel screws, all complete as per architectural drawings and the directions of Engineer-in-charge : Powder coated aluminium (minimum thickness of powder coating 50 micron)	0.20	MT		
19	S/F 100mm brass lock for aluminium door including necessary cutting and making good etc. complete	5.00	EACH		
20	Providing and fixing aluminium tower bolts (100*10mm) ISI marked anodised (anodic coating not less than grade AC 10 as per IS : 1868) transparent or dyed to required colour or shade with necessary screws etc. complete :	5.00	EACH		
21	Providing and fixing glazing in aluminum door, window, ventilator shutters and partitions etc. with EPDM rubber / neoprene gasket etc. complete as per the architectural drawings and the directions of Engineer-in- Charge. (Cost of aluminum snap beading shall be paid in basic item): With float glass panes of 5.5 mm thickness.	32.00	SQM		
22	Providing and fixing anodised aluminium grill (anodised transparent or dyed to required shade according to IS: 1868 with minimum anodic coating of grade AC 15) of approved design/pattern, with approved standard section and fixed to the existing window frame with C.P. brass/ stainless steel screws @ 200 mm centre to centre, including cutting the grill to proper opening size for fixing and operation of handles and fixing approved anodised aluminium standard section around the opening, all complete as per requirement and direction of Engineer-in-charge. (Only weight of grill to be measured for payment).	0.06	M.T		
23	Providing and fixing aluminum tubular handle bar 32 mm outer dia, 3.0 mm thick & 2100 mm long with SS screws etc. complete as per direction of Engineerin-Charge. Anodized (AC 15) aluminum tubular handle bar	10.00	EACH		
24	Providing and fixing aluminium hanging floor door stopper ISI marked anodised (anodic coating not less than grade AC 10 as per IS : 1868) transparent or dyed to required colour and shade with necessary screws etc. complete. With twin rubber stopper	5.00	EACH		

SECTION XI C					
RENOVATION OF OPD AT PRIMARY HEALTH CENTRES AT POOZHANADU					
SL.No	DESCRIPTION	QTY	UNIT	RATE	AMOUNT
25	Providing and fixing double action hydraulic floor spring of approved brand and manufacture IS : 6315 marked, for doors including cost of cutting floors as required, embedding in floors and cover plates with brass pivot and single piece M.S. sheet outer box with slide plate etc. complete as per the direction of Engineer-in-charge. With Brass cover Plate	5.00	EACH		
26	Providing and fixing 12 mm thick pre laminated particle board flat pressed three layer or graded wood particle board conforming to IS: 12823 Grade I Type II, in paneling fixed in aluminum doors, windows shutters and partition frames with C.P. brass / stainless steel screws etc. complete as per architectural drawings and directions of Engineer-inCharge. Pre-laminated particle board with decorative lamination on both sides	48.00	SQM		
27	24 mm thick factory made PVC door shutters made of styles and rails of a uPVC hollow section of size 59x24 mm and wall thickness 2 mm (\pm 0.2 mm) with inbuilt edging on both sides. The styles and rails mitred and joint at the corners by means of M.S. galvanised/ plastic brackets of size 75x220 mm having wall thickness 1.0 mm and stainless steel screws. The styles of the shutter reinforced by inserting galvanised M.S. tube of size 20x20 mm and 1 mm (\pm 0.1 mm) wall thickness. The lock rail made up of 'H' section, a uPVC hollow section of size 100x24 mm and 2 mm (\pm 0.2 mm) wall thickness, fixed to the shutter styles by means of plastic/galvanised M.S. 'U' cleats. The shutter frame filled with a uPVC multi-chambered single panel of size not less than 620 mm, having over all thickness of 20 mm and 1 mm (\pm 0.1 mm) wall thickness. The panels filled vertically and tie bar at two places by inserting horizontally 6 mm galvanised M.S. rod and fastened with nuts and washers, complete as per manufacturer's specification and direction of Engineer-in-charge. (For W.C. and bathroom door shutter).	2.00	SQM		
28	Providing and fixing cup board shutters 25 mm thick, with Pre-laminated flat pressed three layer particle board or graded wood particle board IS: 12823 marked, exterior grade (Grade I Type II), having one side decorative lamination and other side balancing lamination, including IInd class teak wood lipping of 25 mm wide x12 mm thick with necessary screws and bright finished stainless steel piano hinges, complete as per direction of the Engineer-in-Charge	QRO	SQM		
ROOFING					
29	""Supplying and embedding P.V.C rain water pipes of approved quality embedded inside the RC columns/masonry in position with all necessary specials like shoes , bends or any other specials required to suit site conditions etc., jointed with wavin cement and lubricants with necessary MS clamps,brackets ,bolts and nuts all complete as directed. 110mm dia-6kg/sq.cm"	QRO	R.M		

SECTION XI C					
RENOVATION OF OPD AT PRIMARY HEALTH CENTRES AT POOZHANADU					
SL.No	DESCRIPTION	QTY	UNIT	RATE	AMOUNT
30	Supply and Laying in cladding & Roofing COLOUR COATED sheet with guard flim made out of 0.5mm TCT 550MPa cold rolled sheet with hot dip metallic coating of Aluminium Zinc alloy 150gms/sq.m.The colour shall have a total coating thickness of 35 microns of an super Polyester colorbond XRW quality paint system or equivalent as per AS/NZS-2728:1997 (category 3), comprising of 20 microns exterior coat on top surface and 5 micron reverse coat on back surface over 5 micron primer coat on both surfaces and having 975/1000mm cover width with 26mm high crest at 195/200mm c/c in lengths as approved by Architect also to suit to site requirements and fixed with necessary suitable imported galvanized carbon steel self drilling and self tapping screws of BUILDEX or corrosshield confirming to ASTM 3566-1990 (class- III) of required diameter and length as approved all complete with EPDM sealing washers, foam fillers wherever necessary, silicon sealent wherever necessary. The RAL Colour shall be 9006. No extra payable due to shade selection.	58.00	SQM		
PLASTERING					
31	Prepare surfaces and plaster with CM 1:3(1 cement, 3 sand) ,12mm minimum thick (sponge finish) to ceiling sides and soffit of beams and columns and other interior and exterior RCC surfaces not contiguous to masonry.	64.00	M.SQ		
32	Prepare surfaces and plaster with CM 1:5(1 cement, 5 sand) ,12mm minimum thick to all interior faces of walls (sponge finish) including RCC surfaces not contiguous to masonry.Necessary internal grooves of size 10mmx10mm shall be carried out as shown/directed by engineer-in-charge.	QRO	M.SQ		
PAINTING					
33	Prepare surfaces and paint two coats of plastic emulsion paint of approved colour over two coats of Gypsum punning of 6 mm minimum thick and primer all complete as per manufacturers specifications to all ceilings in all floors.	QRO	M.SQ		
34	Finishing with oil bound washable Interior Emulsion of approved brand and manufacture to give an even shade : New work (two or more coats) over and including water thinnable priming coat with cement primer	64.00	M.SQ		
35	Painting wood work with Deluxe Multi Surface Paint of required shade. Two or more coat applied @ 0.90 ltr/10 sqm over an under coat of primer applied @0.75 ltr/10 sqm of approved brand and manufacture	6.00	M.SQ		
36	Painting Steel work with Deluxe Multi Surface Paint to give an even shade. Two or more coat applied @ 0.90 ltr/ 10 sqm over an under coat of primer applied @ 0.80 ltr/ 10 sqm of approved brand and manufacture	52.00	M.SQ		

SECTION XI C					
RENOVATION OF OPD AT PRIMARY HEALTH CENTRES AT POOZHANADU					
SL.No	DESCRIPTION	QTY	UNIT	RATE	AMOUNT
37	Providing and applying plaster of paris putty of 2 mm thickness over plastered surface to prepare the surface even and smooth complete.	QRO	M.SQ		
38	Removing white or colour wash by scrapping and sand papering and preparing the surface smooth including necessary repairs to scratches etc. complete	786.00	M.SQ		
39	Finishing with Deluxe Multi surface paint system for exteriors using Primer as per manufacturers specifications : Two or more coats applied on walls @ 1.25 ltr/10 sqm	786.00	M.SQ		
DISMANTLING					
40	Dismantling plastered brickwalls in cement mortar including cleaning, stacking the useful materials as directed by engineer-in-charge and dumping the dismantled debris as indicated at site, levelling, consolidating, all complete as directed and disposing the debris away from site all complete as directed.	3.00	M.CUBE		
41	Dismantling the existing RCC concrete including cutting the reinforcement, stacking the useful materials as directed by engineer-in-charge, dumping the dismantled debris as indicated at site, leveling, consolidating, all complete as directed and disposal of debris away from site all complete.	1.00	M.CUBE		
42	Dismantling cement concrete including disposing the debris away from site as directed by engineer in charge all complete.	2.00	M.CUBE		
43	Dismantling Tiles Flooring and walls and disposing the debris away from site all complete as directed.	6.00	M.SQ		
PATHWAY					
44	Providing and laying cement concrete paver blocks of thick 80mm made out of M25 design mix of shape and profile as approved by architect .The rate should include cost of necessary excavation, RIVER SAND upto a depth of 50mm pointing in CM 1:3 all complete as directed.(For purpose of payment total laid area in length multiplied by width in plan will be paid.) Tenderer to submit necessary pamphlets along with tender.	QRO	M.SQ		
PLUMBING					
45	Providing and fixing gun metal gate valve with C.I. wheel of approved quality -25MM	1	M.SQ		
46	Providing and fixing C.P. brass angle valve for basin mixer and geyserpoints of approved quality conforming to IS:8931 a) 15 mm nominal bore: 15 mm nominal bore.Make:Hindware,Cera,Jaquar etc..	1	EACH		

SECTION XI C					
RENOVATION OF OPD AT PRIMARY HEALTH CENTRES AT POOZHANADU					
SL.No	DESCRIPTION	QTY	UNIT	RATE	AMOUNT
47	Providing and fixing PTMT Bottle Trap for Wash basin and sink. Bottle trap 38mm single piece moulded with height of 270mm, effective length of tail pipe 260mm from the centre of the waste coupling 77mm breadth with 25mm minimum water seal, weighing not less than 263gms.	QRO	EACH		
48	Providing and fixing trap of self cleansing design with screwed down orhinged grating with or without vent arm complete, including cost of cutting and making good the walls and floors :100 mm inlet and 100 mm outlet	1	EACH		
49	Constructing brick masonry manhole in cement mortar 1:4 (1 cement : 4 coarse sand) with R.C.C. top slab with 1:2:4 mix (1 cement : 2 coarse sand : 4 graded stone aggregate 20 mm nominal size), foundation concrete 1:4:8 mix (1 cement : 4 coarse sand : 8 graded stone aggregate 40 mm nominal size), inside plastering 12 mm thick with cement mortar 1:3 (1 cement : 3 coarse sand) finished with floating coat of neat cement and making channels in cement concrete 1:2:4 (1 cement : 2 coarse sand : 4 graded stone aggregate 20 mm nominal size) finished with a floating coat of neat cement complete as per standard design : With common burnt clay F.P.S designation 7.5	QRO	EACH		
50	Providing and fixing square – mouth PVC. Gully trap grade “A” complete with CI grating brick masonry chamber with water tight tight CI cover with frame of 300 x 300mm size (inside) the weight of cover to be not less than 4.50 kg and frame to be not less than 2.70 kg as per standard design	QRO	EACH		
51	Providing and fixing white vitreous china pedestal type water closet(European type W.C. pan) with seat and lid, 10 litre low level white P.V.C.flushing cistern, including flush pipe, with manually controlled device(handle lever), conforming to IS : 7231, with all fittings and fixtures complete, including cutting and making good the walls and floors wherever required :W.C. pan with ISI marked white solid plastic seat and lid	1	EACH		
52	Providing and fixing wash basin with C.I. brackets, 15 mm C.P. brass pillar taps, 32 mm C.P. brass waste of standard pattern, including painting of fittings and brackets, cutting and making good the walls wherever require:White Vitreous China Wash basin size 630x450 mm with a pair of 15 mm C.P. brass pillar taps	1	EACH		
53	Supplying and providing Polyethylene Septic Tanks unique size and 3 chamber design with all accessories branded like United , for a capacity of 5000 litre (100 flush/day) including all material and labour charge for fittings	QRO	LS		

SECTION XI C					
RENOVATION OF OPD AT PRIMARY HEALTH CENTRES AT POOZHANADU					
SL.No	DESCRIPTION	QTY	UNIT	RATE	AMOUNT
54	Providing and fixing Chlorinated Polyvinyl Chloride (CPVC) pipes, having thermal stability for hot & cold water supply including all CPVC plain & brass threaded fittings i/c fixing the pipe with clamps at 1.00 m spacing. This includes jointing of pipes & fittings with one step CPVC solvent cement and the cost of cutting chases and making good the same including testing of joints complete as per direction of Engineer in Charge. Concealed work including cutting chases and making good the walls etc				
a	20 mm nominal outer dia .Pipes	0	RM		
b	32 mm nominal outer dia Pipes	12	RM		
c	50 mm nominal outer dia Pipes	0	RM		
55	Providing and fixing Stainless Steel A ISI 304 (18/8) kitchen sink as per IS: 13983 with C.I. brackets and stainless steel plug 40 mm, including painting of fittings and brackets, cutting and making good the walls wherever required ::(Lowest retail price of sink not less than Rs. 3150)				
	Kitchen sink without drain board, Size -610x510 mm bowl depth 200 mm	QRO	EACH		
56	Providing and fixing PVC Waste pipe for sink or wash basin including PVC waste fittings complete. Semi rigid pipe 32mm dia	0	EACH		
57	Providing and fixing CP Waste coupling for wash basin and sink of approved quality, colour and make. Waste coupling 31mm of 79mm length and 62mm breadth, weighing not less than 45 gms. Make: Hindware, Jaquar etc.,	1	EACH		
58	Extra for providing opening of required size & shape for wash basin/ kitchen sink in kitchen platform, vanity counter and similar location in marble/ Granite/stone work, including necessary holes for pillar taps etc. including moulding, rubbing and polishing of cut edges etc. complete.	QRO	EACH		
59	Providing and fixing 600x450 mm beveled edge mirror of superior glass (of approved quality) complete with 6 mm thick hard board ground fixed to wooden cleats with C.P. brass screws and washers complete.	1	EACH		
60	Providing and fixing PTMT towel rail complete with brackets fixed to wooden cleats with CP brass screws with concealed fitting arrangement of approved quality and colour. 600mm long towel rail with total length of 645mm, width 78mm and effective height of 88mm, weighing not less than 190gms.	1	EACH		
61	Providing and fixing PTMT liquid soap container 109mm wide, 125mm high and 112mm distance from wall of standard shape with bracket of the same materials with snap fittings of approved quality and colour. weighing not less than 105 gms.	0	EACH		

SECTION XI C					
RENOVATION OF OPD AT PRIMARY HEALTH CENTRES AT POOZHANADU					
SL.No	DESCRIPTION	QTY	UNIT	RATE	AMOUNT
62	Providing & fixing of CP Health faucet. Hand operated spray unit (instand type)	1	Set		
63	Providing and fixing PVC pipes for water supply arrangements including cost pipes, fittings, solvent cement, testing of pipes, labour charges etc complete : Concealed work including cutting chases and making good the wall etc				
a	20mm dia. PVC pipe	0	RM		
b	25mm dia. PVC pipe	12	RM		
c	32mm dia. PVC pipe	0	RM		
64	Providing and fixing CP grating of 6mm thick with rim including setting in floor with white cement mortar and making good the floor				
	125mm dia	1	EACH		
65	Providing and fixing PVC soil, waste and vent pipe to IS : 13592 of SWR quality including all fittings, like : Bends, Tees, Elbows, Collars, junction, inspection doors, cowls, offsets, access pipes, jointing with rubber ring / solvent cement by application of leak proof adhesive like FRP paste including cutting holes in walls and floors and making good. Make:Supreme,Finolex,Prince etc.,				
	50mm dia	0	RM		
	110mm dia	6	RM		
CURTAIN WORK					
66	1.Two range of curtain cloth – Type I - II.				
	2. Both for doors, windows and partions.				
	3. Assorted colours plain & prints				
	4.Stitched as per site/ size requirement				
	5.Minor modifications in stitching as per site/ size requirement				
	6.Preferred colour (Brown, Cream, Beige)				
	7.Curtain price (including cloth & curtain rod) to be quoted in Squire metre				
	8.Stitching for each curtain to be absorb in the price of the cloth generally 2 meters.				
	9.Fast colours, water wash				
	10.Fabric density Non Transparent Composition				
	11.Fabric of curtain shall be soft texture, great shading, drape effect and nice doobby.				
	12.The bracket shall be side mounted and front mounted as required				
	13.First rod mount is 3.5 inches from the wall.				
	14.Where curtain used as a partition/ long length, sufficient support from ceiling should be provided to avoid sagging.				
	15.Rate quoted for fully stitched Curtain with top nepha with punch holes after lining bucramreinforced with SS / PVC islets and lower nepha 200mm double turned.				

SECTION XI C					
RENOVATION OF OPD AT PRIMARY HEALTH CENTRES AT POOZHANADU					
SL.No	DESCRIPTION	QTY	UNIT	RATE	AMOUNT
a	Type -I (Surgical Curtain)				
	Curtain fabric weight shall be up to 275-300 ($\pm 5\%$) gsm Composition of fabric shall be polyester yarn I.E. 300 denier fast colour sink age shall be ($\pm 5\%$) Weft and warp shall be polyester / cotton polyester mix	0	M.SQ		
b	Type - II (Window & Door Curtain)				
	Curtain fabric weight shall be up to 250-275 ($\pm 5\%$) gsm Composition of fabric shall be polyester yarn I.E. 300 denier fast colour sink age shall be ($\pm 5\%$) Weft and warp shall be polyester / cotton polyester mix	0	M.SQ		
FALSE CEILING					
67	Providing & Fixing of False ceiling shall be provided with Armstrong Lay in (Hot dipped galvanized steel) metal ceiling system 600 X 600 X 5 mm with standard perforation of 2.5 mm dia. (16% open space) and fleece with NRC of 70 & CAC 36 to be laid on Armstrong Grid system. Armstrong Orcal Lay in metal ceiling system consisting of 600 X 600 mm Lay in tiles of pre coated galvanized steel in 0.5 mm thickness in white colour with standard perforation of 2.5 mm dia. and open area of 16 %. The back of tiles should have black acoustical fleece with NRC of .70 & CAC 36 to be laid on Armstrong Grid system with 15 mm wide T section flanges Colour white having rotary stitching on the main Runner, 1200 mm & 600 mm cross Tees, fixed to the structural soffit by Butterfly clip hangers, suspension wires & anchor fasteners as per manufacturers specification. Suspension wires to be provided at every 600 mm c/c with two numbers ties on each anchor fastener, Perimeter trim of Trulok wall angle in white colour secured to wall at 450 mm maximum centers.	QRO	M.SQ		
Total Civil works					

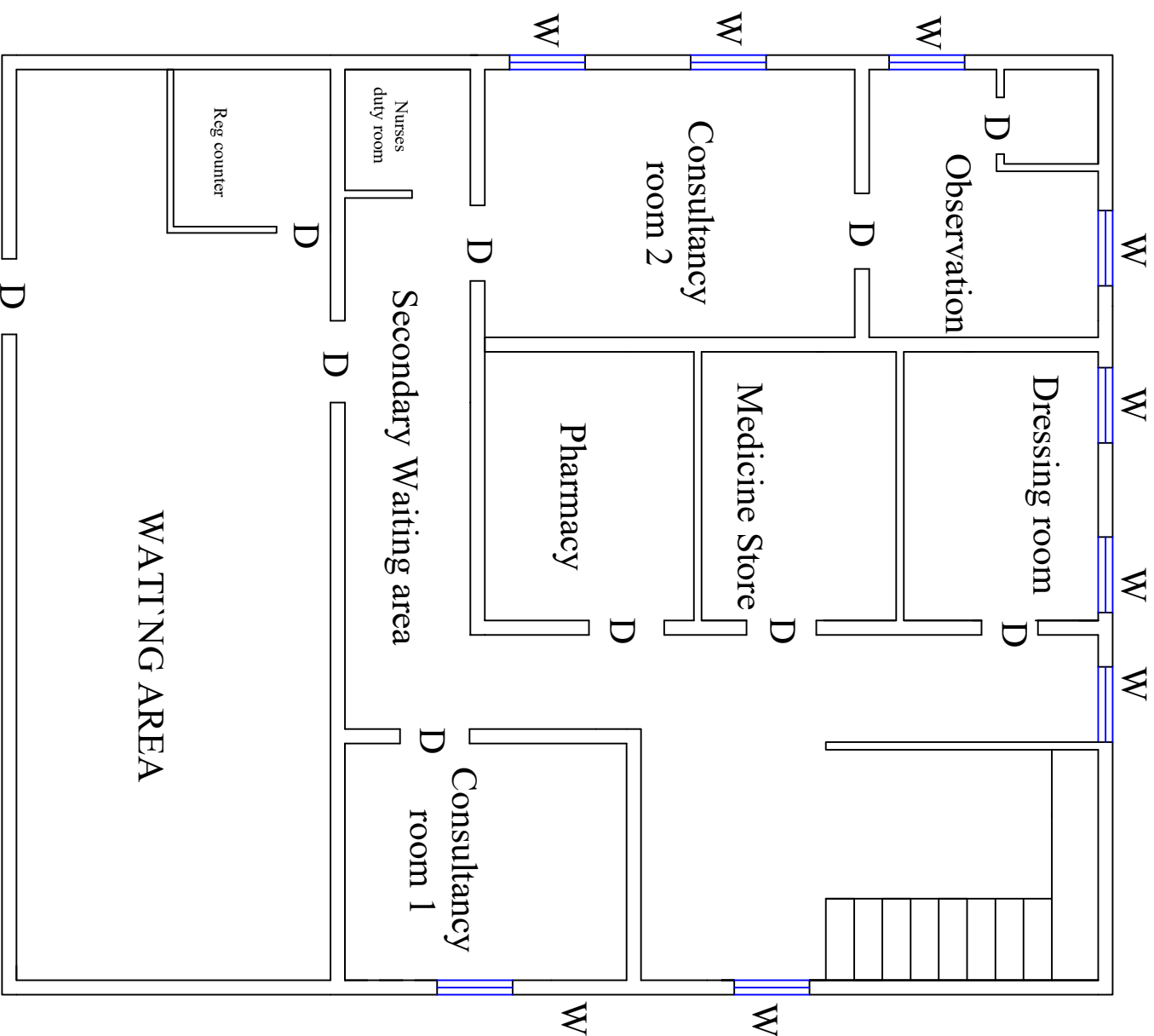
SECTION XI C					
RENOVATION OF OPD AT PRIMARY HEALTH CENTRES AT POOZHANADU					
SL.No	DESCRIPTION	QTY	UNIT	RATE	AMOUNT
ELECTRICAL WORKS					
1	Point wiring in PVC conduit with modular type switch.				
	Wiring for light point/fan point/exhaust fan point /call bell point with 1.5 sq mm FR PVC insulated copper conductor single core cable in surface/recessed medium class PVC conduit, with modular switch, modular plate, suitable PVC box and earthing the point with 1.5 sq.mm FR PVC insulated copper conductor single core cable etc as required.				
	Group C	0	Point		
2	Wiring through PVC conduit				
	Wiring for circuit/submain wiring along with earth wire with the following sizes of FR PVC insulated copper conductor, single core cable in surface/recessed medium class PVC conduit as required.(Make:Havells/Finolex/V-guard/Polycab)				
a	2X1.5 sq.mm + 1X1.5 sq.mm earth wire	30	Metre		
b	2X2.5 sq.mm + 1 X2.5 sq mm earth wire	50	Metre		
c	2X4 sq.mm + 1X4 sq.mm earth wire	0	Metre		
3	Telephone wiring in existing conduit:				
	Supplying and drawing following pair 0.5 sq mm FR PVC insulated annealed copper conductor, unarmored telephone cable in the existing surface/ recessed steel/ PVC conduit as required.				
a	2 Pair	0	Metre		
4	A/C point				
	S/F 20A SPN MCB industrial socket outlet: Supplying and fixing 20 amps, 240 volts, SPN industrial type, socket outlet, with 2 pole and earth, metal enclosed plug top alongwith 20 amps "C" curve, SP, MCB, in sheet steel enclosure, on surface or in recess, with chained metal cover for the socket outlet and complete with connections, testing and commissioning etc. as required.(Make: Legrand/Havells/HPL)	0	Point		
5	Modular type blanking plate:				
	Supplying and fixing modular blanking plate on the existing modular plate & switch box excluding modular plate as required.(Make: Legrand/Havells/HPL)	3	Each		
6	Modular boxes, bases & cover plate:				
	Supplying and fixing following size/modules, GI box along with modular base & cover plate for modular switches in recess etc as required.(Make: Legrand/Havells/HPL)				
a	3 module	4	Each		
b	6 module	4	Each		
7	Modular type switch/socket:				
	Supplying and fixing following modular switch/socket on the existing modular plate & switch box including connections but excluding modular plate etc as required. (Make: Legrand/Havells/HPL)				
a	5/6 Amps switch	8	Each		
b	3 pin 5/6 Amp socket outlet	8	Each		
c	15/16 Amps switch	0	Each		

SECTION XI C					
RENOVATION OF OPD AT PRIMARY HEALTH CENTRES AT POOZHANADU					
SL.No	DESCRIPTION	QTY	UNIT	RATE	AMOUNT
d	6pin 15/16 Amps (universal) socket outlet	0	Each		
e	Telephone socket outlet	0	Each		
8	S/F PVC conduit:				
	Supplying and fixing of following sizes of medium class PVC conduit along with accessories in surface/recess including cutting the wall and making good the same in case of recessed conduit as required.(ISI Make)				
a	25 mm	65	Metre		
9	ITC Fluorescent fitting directly on surface: Installation, testing and commissioning of pre-wired, fluorescent fitting / compact fluorescent fitting/LED of all types, complete with all accessories and tube etc. directly on ceiling/ wall, including connection with 1.5 sq. mm FR PVC insulated, copper conductor, single core cable and earthing etc. as required.	0	Each		
10	ITC Ceiling fan: Installation, testing and commissioning of ceiling fan, including wiring the down rods of standard length (upto 30 cm) with 1.5 sq. mm FR PVC insulated, copper conductor, single core cable etc. as required.	0	Each		
11	Supplying and fixing two module stepped type electronic fan regulator on the existing modular plate switch box including connections but excluding modular plate etc. as required.	0	Each		
12	CABLE SUPPLY, LAYING AND TERMINATION				
	Wiring for circuit/ submain wiring along with earth wire with the following sizes of FR PVC insulated copper conductor, single core cable in surface/ recessed medium class PVC conduit as required.				
a	From Main to DB				
	2 X 4 sq. mm + 1 X 4 sq. mm earth wire	25	Metre		
13	Supply of 15W LED tube fitting sleek with decorative end cap, powder coated CRCA steel channel complete with all electrical accessories like electronic ballast, lamp holder, 28W LED lamp etc complete as required. (Philips / Wipro /HAVELLS)	0	Each		
13.1	Supply and installation of 18 W CFL with its all accessories.	1	Each		
14	Supply and installation of 1200 mm sweep Ceiling fan, white colour, 5 star rated as per BEE complete with blades, down rod, shackle, canopy etc(Make Havells/bajaj/usha/V-guard)	0	Each		

SECTION XI C					
RENOVATION OF OPD AT PRIMARY HEALTH CENTRES AT POOZHANADU					
SL.No	DESCRIPTION	QTY	UNIT	RATE	AMOUNT
15	S/F SP & N DB:				
	Supplying and fixing following way prewired SP&N MCB, distribution board of steel sheet for 240 volts on surface/recess complete with loose wire box, terminal connectors for all incoming and outgoing circuits, duly prewired with suitable size FR PVC insulated copper conductor up to terminal blocks, tinned copper bus bar, neutral link, earth bar, detachable gland plate, interconnections, powder painted including earthing etc.as required(But without MCB/RCCB/Isolator) (Make: Legrand/Havells/HPL)				
	8 way SPN, double door	1	Each		
15.1	S/F of DP ISOLATOR				
	Supplying and fixing following rating, double pole, (single phase and neutral), 240 volts, ISOLATOR having a sensitivity current upto 100 to 300 milliamperes in the existing MCB DB complete with connections, testing and commissioning etc, as required. (Make: Legrand/Havells/HPL)				
	40 A, DP isolator	1	Each		
15.2	S/F of SP MCB				
	Supplying and fixing 6 amps to 10 amps rating, 240 Volts, "C" series, miniature circuit breaker suitable for lighting and other loads of following poles in the existing MCB DB complete with connections, testing and commissioning etc as required. (Make: Legrand/Havells/HPL)				
	6/10A SP MCB	6	Each		
16	Miscellaneous Items				
16.1	Miscellaneous electrical work, removing of existing conduits and interconnections of light,6A socket/16A socket/A/C point from existing DB	0	LS		
16.2	Miscellaneous work for removing & supply of old 3 nos of 5A switch & 5A sockets and 2-bulb, 1-CFL with its all accessories only as per the direction of engineer in charge.[ISI MAKE]	0	LS		
	Total Electrical works				
	Grand TOTAL				
	TAXES				
	GRAND TOTAL (INCLUSIVE OF TAXES)				
I agree to complete the work as per the schedule at the rates quoted by me as above.					
BIDDER					

* QRO - Quoted Rate Only

LS - Lump Sum



EXISTING LAYOUT OF KOTTUKAL, GROUND FLOOR

DIMENSION: MM

SUBMISSION DRAWING

REF.	DESCRIPTION	DATE	SIGN
REVISIONS			

PRIMARY HEALTH CENTER
AT KOTTUKAL, TRIVANDRUM, KERALA

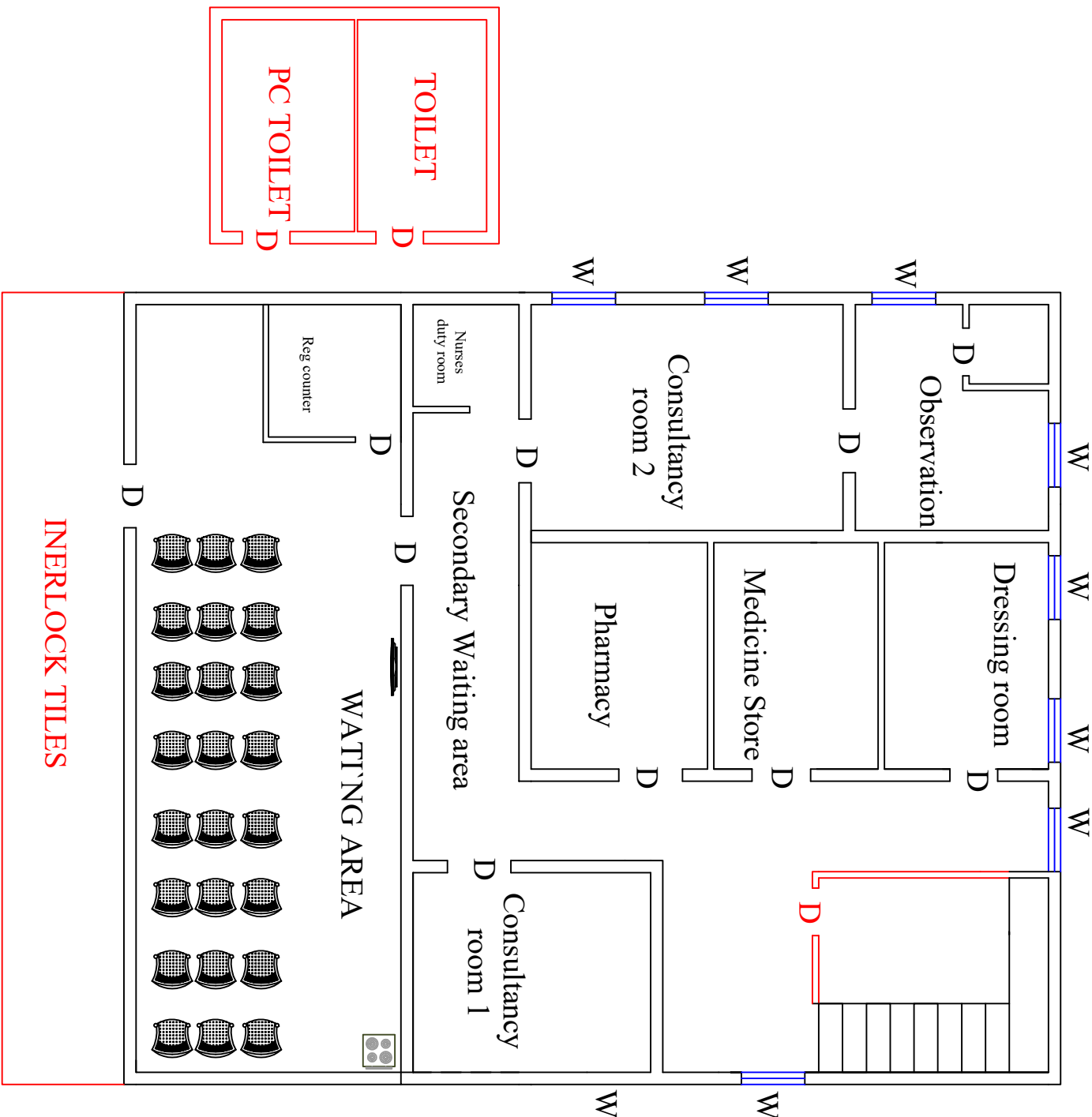
EXISTING PHC DRAWING

AARDRAM PROJECT



H.L.L. LIFE CARE LTD.
(A Government of India Enterprise)

DRAWN	By: <i>Binu</i>	JOB NO	DATE	2007/2017
CHECKED		297	SCALE	1 : 100
DWG NO	HLL-KL-ELD-3SR-DR-1			



INERLOCK TILES

PROPOSED LAYOUT OF KOTTUKAL, GROUND FLOOR

DIMENSION: MM

SUBMISSION DRAWING

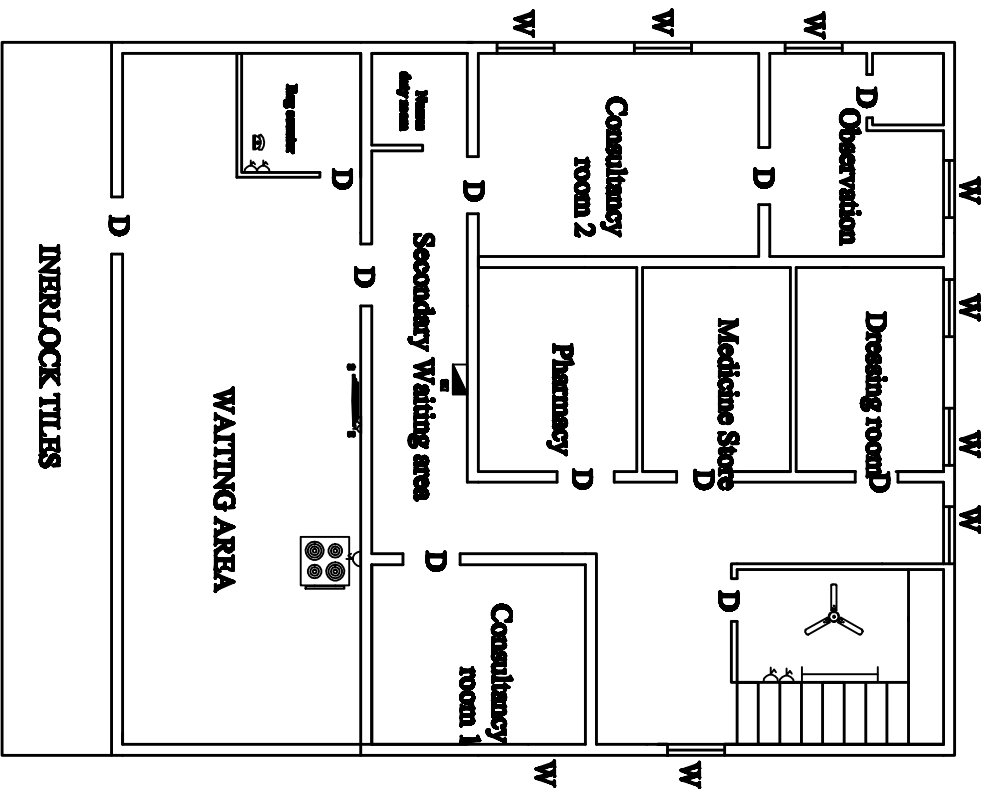
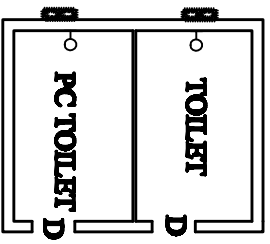
REF.	DESCRIPTION	DATE	SIGN
REVISIONS			

**PRIMARY HEALTH CENTER
AT KOTTUKAL, TRIVANDRUM, KERALA
PROPOSED FHC DRAWING
AARDRAM PROJECT**

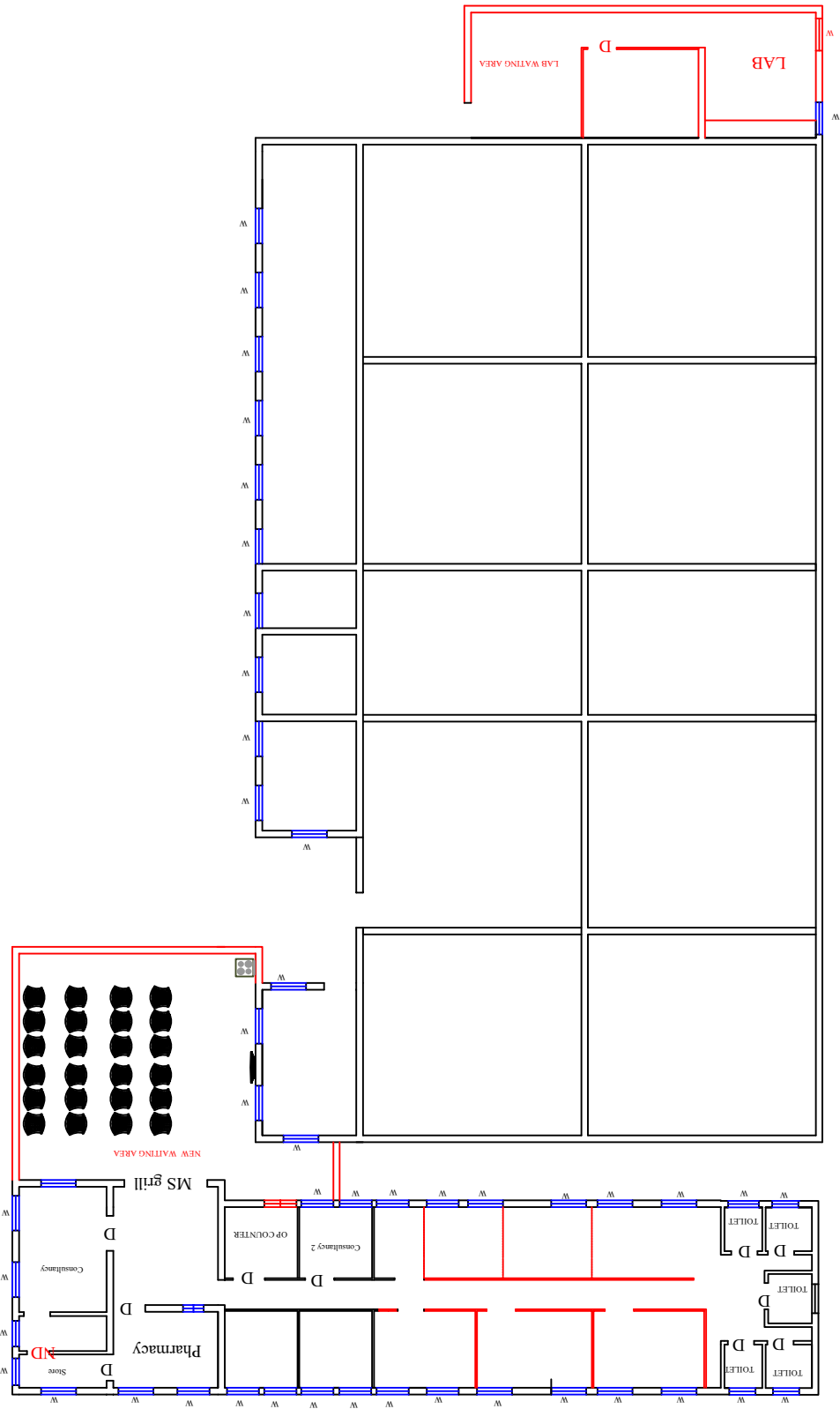


H.L.L. LIFE CARE LTD.
(A Government of India Enterprise)

DRAWN	Bhuvan	JOB NO	DATE	2007/2017
CHECKED		2NS	SCALE	1 : 100
DWG NO	HLL-KL-ELD-BSR-DR-1			



PROPOSED ELECTRICAL LAYOUT OF KOTTUKAL



SUBMISSION DRAWING

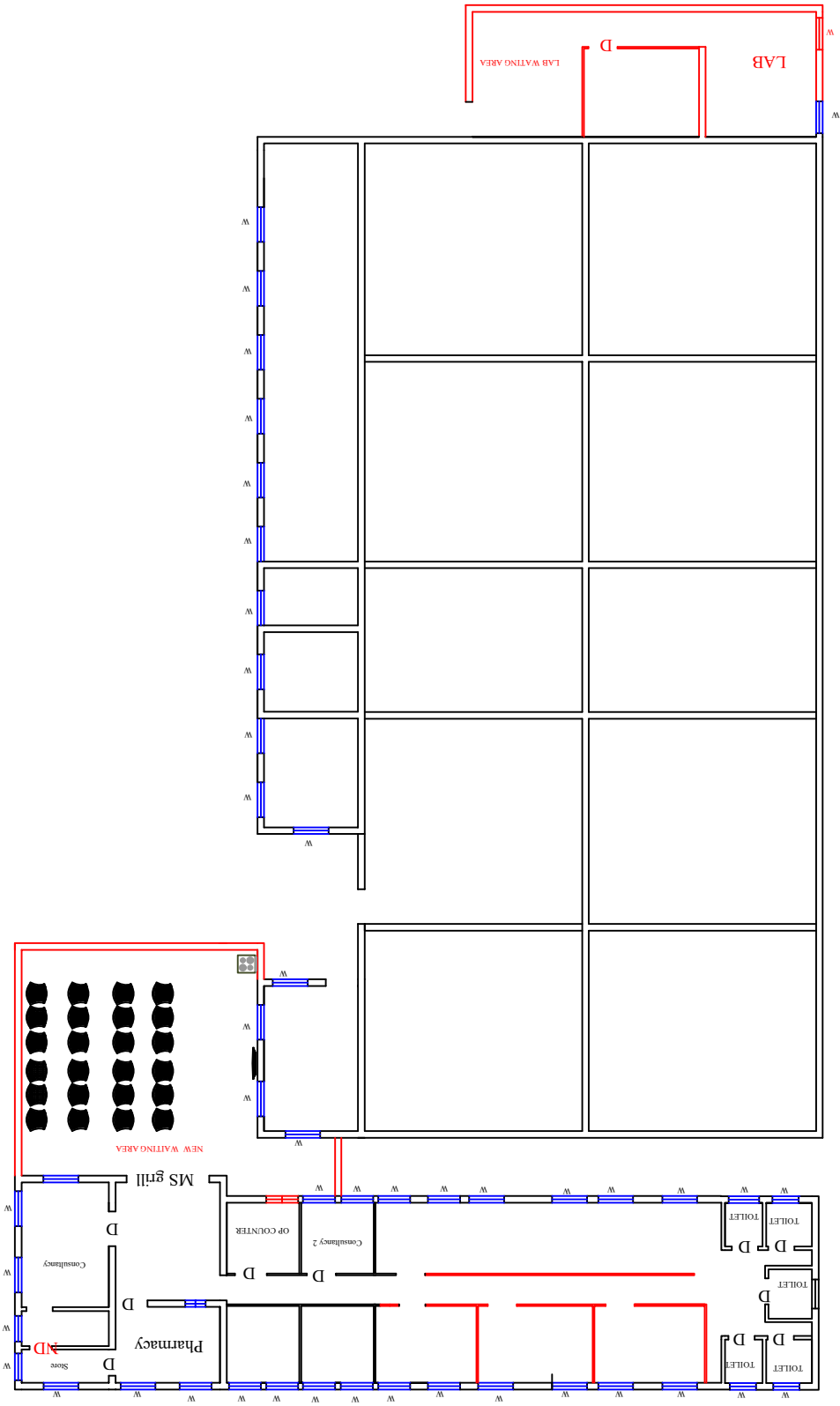
REF.	DESCRIPTION	DATE	SIGN
R E V I S I O N S			
PRIMARY HEALTH CENTER			
AT PARANEYAM, TRIVANDRUM, KERALA			
PROPOSED FHC DRAWING			
AARDRAM PROJECT			



H.L. LIFE CARE LTD.
(A Government of India Enterprise)

DRAWN	Bhuvan	JOB NO	DATE	20.07.2017
CHECKED		304	SCALE	1 : 100
DWG NO	H.L.-KL-ELD-SSR-DR-1			

DIMENSION: MM



DIMENSION: MM

SUBMISSION DRAWING

REF.	DESCRIPTION	DATE	SIGN
R E V I S I O N S			

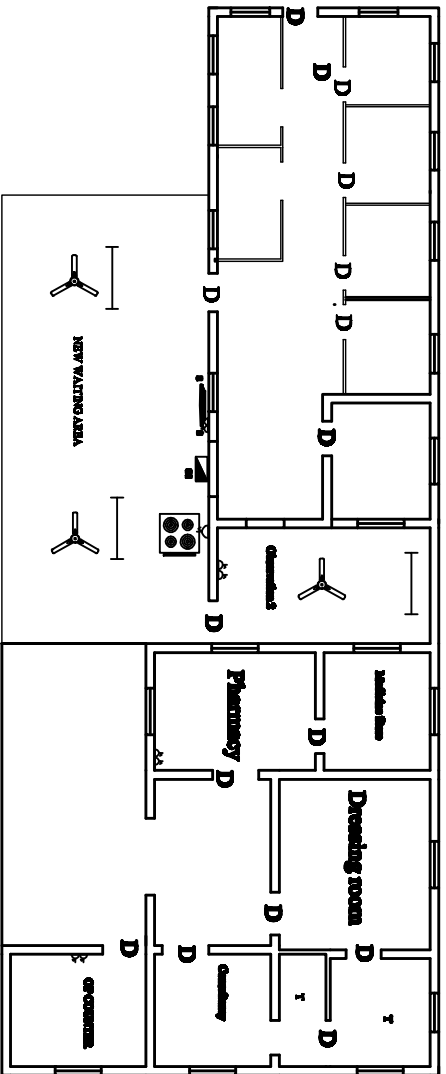
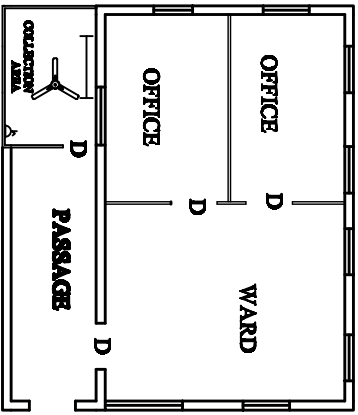
PRIMARY HEALTH CENTER
AT PARANEYYAM, TRIVANDRUM, KERALA
PROPOSED PHC DRAWING

AARDRAM PROJECT

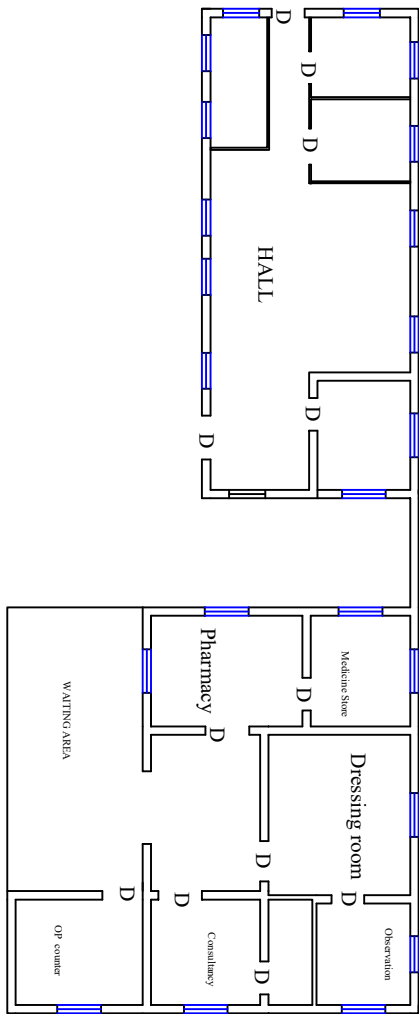
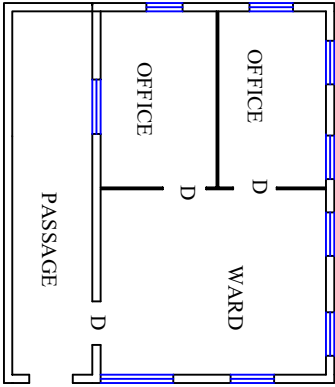


HLL LIFE CARE LTD.
 (A Government of India Enterprise)

DRAWN	Bhavan	JOB NO	2007/2017
CHECKED		304	SCALE
DWG NO	HLL-KL-ELD-PSR-DR-1		



PROPOSED PARIBESHTAM ELECTRICAL TRAINING



SUBMISSION DRAWING

REF.	DESCRIPTION	DATE	SIGN
R E V I S I O N S			

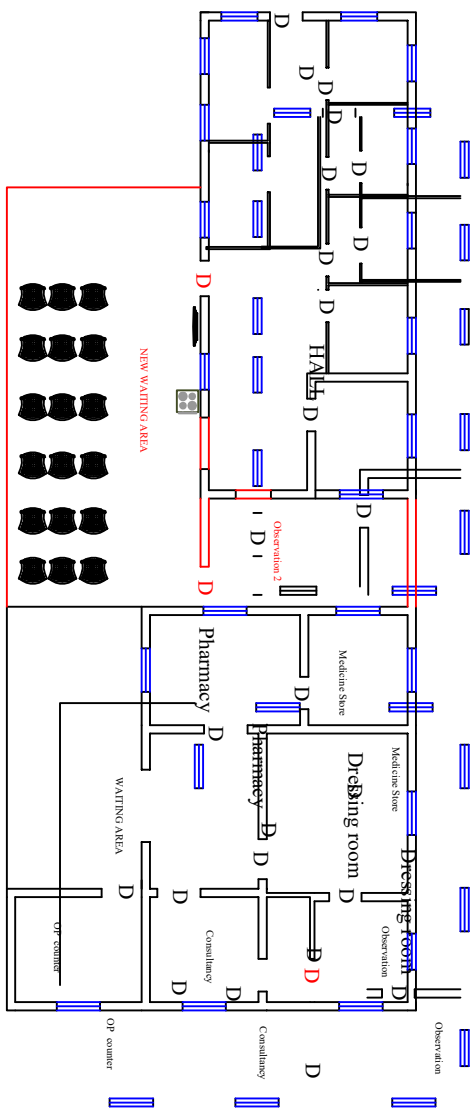
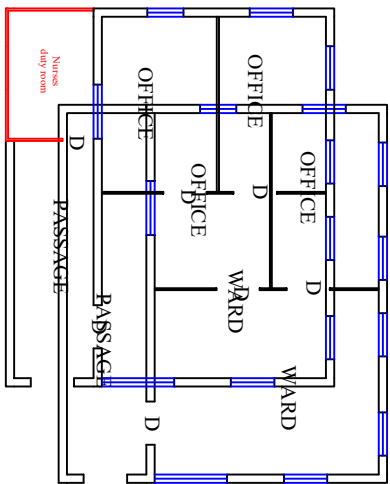
PRIMARY HEALTH CENTER
AT POOZHANADU, TRIVANDRUM, KERALA
EXISTING PHC DRAWING
AARDRAM PROJECT



H L L LIFE CARE LTD.
 (A Government of India Enterprise)

DRAWN	Bluvan	JOBNO	DATE	20.07.2017
CHECKED		299	SCALE	1 : 100
DWG. NO	HLL-KL-ELD-SR-RD&I			

DIMENSION: MM



PROPOSED PAPPENYAM , GROUND FLOOR

SUBMISSION DRAWING

REF.	DESCRIPTION	DATE	SIGN
REVISIONS			

PRIMARY HEALTH CENTER
AT POOZHANADU, TRIVANDRUM, KERALA
PROPOSED FHC DRAWING
AARDRAM PROJECT



H.L.L. LIFE CARE LTD.
 (A Government of India Enterprise)

DRAWN	Bhuvan	JOB NO	20/07/2017
CHECKED		300	SCALE
DWG NO	HLL-KL-EL-DBSR-DR-1		

DIMENSION: MM

GENERAL LAYOUT OF THE BUILDING

