

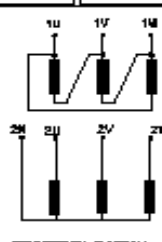
**TECHNICAL SPECIFICATION OF 315KVA, 11/0.433 KV, 22/0.433 KV Energy Efficiency Level -1
THREE PHASE, INDOOR TYPE OIL IMMERSED DISTRIBUTION TRANSFORMERS**

115

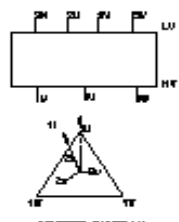
MAHARASHTRA STATE

REF. STANDARD : IS 2026-1977 & IS 1380
3 STAR RATING, 3 PH. DISTRIBUTION TRANSFORMER

TYPE	F	OUT DOOR	TYPE OF COOLING	ONAN
RATED KVA	---	---	OIL TEMP. RISE	35
RATED HV V	11000	WDG TEMP RISE	40	
VOLTAGE LV V	433	VOLUME OF OIL	l	
RATED HV A	---	MASS OF OIL	kg	
CURRENT LV A	---	WEIGHT OF CORE	kg	
PHASES	3	WEIGHT OF WDGs	kg	
FREQUENCY Hz	50	TOTAL MASS	kg	
IMPEDANCE %	---	SERIAL NO		
GUARANTEED TOTAL LOSSES	Wdg loss at 25 deg C	--- IN WATTS		
INSULATION LEVEL	L175 AC 2B	CORE	CRGO/AMDT	
VECTOR GROUP	Dyn-11	MONTH-YEAR OF MFG	--- & ---	
OWNER	MSEDCL, MUMBAI.			
A/T.NO.				



CONNECTION DIAGRAM



VECTOR DIAGRAM

DISTRIBUTION CO.

4 HOLES Ø3

NOTE:

1. ACTUAL VALUES SHALL BE PUNCHED AT THE TIME OF DISPATCH.
2. RATING PLATE MATERIAL: ALUMINIUM ANODIZED
3. THICKNESS OF RATING PLATE: 18 SWG
4. WEIGHTS ARE SUBJECTED TO +10% TOLERANCE

THIS IS AN INDICATIVE DRAWING

NAME OF THE CUSTOMER: MSEDCL, MUMBAI-51
A/T. NO. _____
QUANTITY _____
DETAILS OF DISTRIBUTION TRANSFORMER: ---KVA, 11/0.433KV

NAME OF THE MANUFACTURE & SYMBOL

DATE		RATING & TERMINAL MARKING PLATE	
DRN		---KVA, 11/0.433KV CRGO/AMDT, DIST. TRANSFORMER	
CHD		SCALE	DRG. NO
APPD			
---KVA		NTS	

**TECHNICAL SPECIFICATION OF 315KVA, 11/0.433 KV, 22/0.433 KV Energy Efficiency Level -1
THREE PHASE, INDOOR TYPE OIL IMMERSED DISTRIBUTION TRANSFORMERS**

TECHNICAL DETAILS		AS SPECIFIED	AS ORDERED
1. PRIMARY VOLTAGE (KV)	11	11	11
2. SECONDARY VOLTAGE (KV)	0.433	0.433	0.433
3. MVA	315	315	315
4. CORE TYPE	3	3	3
5. CORE TYPE	50	50	50
6. CORE TYPE	433	433	433
7. CORE TYPE	50	50	50
8. CORE TYPE	433	433	433
9. CORE TYPE	50	50	50
10. CORE TYPE	433	433	433
11. CORE TYPE	50	50	50
12. CORE TYPE	433	433	433
13. CORE TYPE	50	50	50
14. CORE TYPE	433	433	433
15. CORE TYPE	50	50	50
16. CORE TYPE	433	433	433
17. CORE TYPE	50	50	50
18. CORE TYPE	433	433	433
19. CORE TYPE	50	50	50
20. CORE TYPE	433	433	433
21. CORE TYPE	50	50	50
22. CORE TYPE	433	433	433
23. CORE TYPE	50	50	50
24. CORE TYPE	433	433	433
25. CORE TYPE	50	50	50
26. CORE TYPE	433	433	433
27. CORE TYPE	50	50	50
28. CORE TYPE	433	433	433
29. CORE TYPE	50	50	50
30. CORE TYPE	433	433	433
31. CORE TYPE	50	50	50
32. CORE TYPE	433	433	433
33. CORE TYPE	50	50	50
34. CORE TYPE	433	433	433
35. CORE TYPE	50	50	50
36. CORE TYPE	433	433	433
37. CORE TYPE	50	50	50
38. CORE TYPE	433	433	433
39. CORE TYPE	50	50	50
40. CORE TYPE	433	433	433
41. CORE TYPE	50	50	50
42. CORE TYPE	433	433	433
43. CORE TYPE	50	50	50
44. CORE TYPE	433	433	433
45. CORE TYPE	50	50	50
46. CORE TYPE	433	433	433
47. CORE TYPE	50	50	50
48. CORE TYPE	433	433	433
49. CORE TYPE	50	50	50
50. CORE TYPE	433	433	433
51. CORE TYPE	50	50	50
52. CORE TYPE	433	433	433
53. CORE TYPE	50	50	50
54. CORE TYPE	433	433	433
55. CORE TYPE	50	50	50
56. CORE TYPE	433	433	433
57. CORE TYPE	50	50	50
58. CORE TYPE	433	433	433
59. CORE TYPE	50	50	50
60. CORE TYPE	433	433	433
61. CORE TYPE	50	50	50
62. CORE TYPE	433	433	433
63. CORE TYPE	50	50	50
64. CORE TYPE	433	433	433
65. CORE TYPE	50	50	50
66. CORE TYPE	433	433	433
67. CORE TYPE	50	50	50
68. CORE TYPE	433	433	433
69. CORE TYPE	50	50	50
70. CORE TYPE	433	433	433
71. CORE TYPE	50	50	50
72. CORE TYPE	433	433	433
73. CORE TYPE	50	50	50
74. CORE TYPE	433	433	433
75. CORE TYPE	50	50	50
76. CORE TYPE	433	433	433
77. CORE TYPE	50	50	50
78. CORE TYPE	433	433	433
79. CORE TYPE	50	50	50
80. CORE TYPE	433	433	433
81. CORE TYPE	50	50	50
82. CORE TYPE	433	433	433
83. CORE TYPE	50	50	50
84. CORE TYPE	433	433	433
85. CORE TYPE	50	50	50
86. CORE TYPE	433	433	433
87. CORE TYPE	50	50	50
88. CORE TYPE	433	433	433
89. CORE TYPE	50	50	50
90. CORE TYPE	433	433	433
91. CORE TYPE	50	50	50
92. CORE TYPE	433	433	433
93. CORE TYPE	50	50	50
94. CORE TYPE	433	433	433
95. CORE TYPE	50	50	50
96. CORE TYPE	433	433	433
97. CORE TYPE	50	50	50
98. CORE TYPE	433	433	433
99. CORE TYPE	50	50	50
100. CORE TYPE	433	433	433

TECHNICAL DETAILS

1. PRIMARY VOLTAGE (KV)

2. SECONDARY VOLTAGE (KV)

3. MVA

4. CORE TYPE

5. CORE TYPE

6. CORE TYPE

7. CORE TYPE

8. CORE TYPE

9. CORE TYPE

10. CORE TYPE

11. CORE TYPE

12. CORE TYPE

13. CORE TYPE

14. CORE TYPE

15. CORE TYPE

16. CORE TYPE

17. CORE TYPE

18. CORE TYPE

19. CORE TYPE

20. CORE TYPE

21. CORE TYPE

22. CORE TYPE

23. CORE TYPE

24. CORE TYPE

25. CORE TYPE

26. CORE TYPE

27. CORE TYPE

28. CORE TYPE

29. CORE TYPE

30. CORE TYPE

31. CORE TYPE

32. CORE TYPE

33. CORE TYPE

34. CORE TYPE

35. CORE TYPE

36. CORE TYPE

37. CORE TYPE

38. CORE TYPE

39. CORE TYPE

40. CORE TYPE

41. CORE TYPE

42. CORE TYPE

43. CORE TYPE

44. CORE TYPE

45. CORE TYPE

46. CORE TYPE

47. CORE TYPE

48. CORE TYPE

49. CORE TYPE

50. CORE TYPE

51. CORE TYPE

52. CORE TYPE

53. CORE TYPE

54. CORE TYPE

55. CORE TYPE

56. CORE TYPE

57. CORE TYPE

58. CORE TYPE

59. CORE TYPE

60. CORE TYPE

61. CORE TYPE

62. CORE TYPE

63. CORE TYPE

64. CORE TYPE

65. CORE TYPE

66. CORE TYPE

67. CORE TYPE

68. CORE TYPE

69. CORE TYPE

70. CORE TYPE

71. CORE TYPE

72. CORE TYPE

73. CORE TYPE

74. CORE TYPE

75. CORE TYPE

76. CORE TYPE

77. CORE TYPE

78. CORE TYPE

79. CORE TYPE

80. CORE TYPE

81. CORE TYPE

82. CORE TYPE

83. CORE TYPE

84. CORE TYPE

85. CORE TYPE

86. CORE TYPE

87. CORE TYPE

88. CORE TYPE

89. CORE TYPE

90. CORE TYPE

91. CORE TYPE

92. CORE TYPE

93. CORE TYPE

94. CORE TYPE

95. CORE TYPE

96. CORE TYPE

97. CORE TYPE

98. CORE TYPE

99. CORE TYPE

100. CORE TYPE

THIS IS AN INDICATIVE DRAWING

STEP NO.	1	2	3	4	5	6	7	8
STEP WIDTH								
STEP THK								
TOTAL CROSS SECTION AREA	---Cm ²							
EFFECTIVE CORE AREA	---Cm ²							

TECHNICAL DETAILS

1. PRIMARY VOLTAGE (KV)

2. SECONDARY VOLTAGE (KV)

3. MVA

4. CORE TYPE

5. CORE TYPE

6. CORE TYPE

7. CORE TYPE

8. CORE TYPE

9. CORE TYPE

10. CORE TYPE

11. CORE TYPE

12. CORE TYPE

13. CORE TYPE

14. CORE TYPE

15. CORE TYPE

16. CORE TYPE

17. CORE TYPE

18. CORE TYPE

19. CORE TYPE

20. CORE TYPE

21. CORE TYPE

22. CORE TYPE

23. CORE TYPE

24. CORE TYPE

25. CORE TYPE

26. CORE TYPE

27. CORE TYPE

28. CORE TYPE

29. CORE TYPE

30. CORE TYPE

31. CORE TYPE

32. CORE TYPE

33. CORE TYPE

34. CORE TYPE

35. CORE TYPE

36. CORE TYPE

37. CORE TYPE

38. CORE TYPE

39. CORE TYPE

40. CORE TYPE

41. CORE TYPE

42. CORE TYPE

43. CORE TYPE

44. CORE TYPE

45. CORE TYPE

46. CORE TYPE

47. CORE TYPE

48. CORE TYPE

49. CORE TYPE

50. CORE TYPE

51. CORE TYPE

52. CORE TYPE

53. CORE TYPE

54. CORE TYPE

55. CORE TYPE

56. CORE TYPE

57. CORE TYPE

58. CORE TYPE

59. CORE TYPE

60. CORE TYPE

61. CORE TYPE

62. CORE TYPE

63. CORE TYPE

64. CORE TYPE

65. CORE TYPE

66. CORE TYPE

67. CORE TYPE

68. CORE TYPE

69. CORE TYPE

70. CORE TYPE

71. CORE TYPE

72. CORE TYPE

73. CORE TYPE

74. CORE TYPE

75. CORE TYPE

76. CORE TYPE

77. CORE TYPE

78. CORE TYPE

79. CORE TYPE

80. CORE TYPE

81. CORE TYPE

82. CORE TYPE

83. CORE TYPE

84. CORE TYPE

85. CORE TYPE

86. CORE TYPE

87. CORE TYPE

88. CORE TYPE

89. CORE TYPE

90. CORE TYPE

91. CORE TYPE

92. CORE TYPE

93. CORE TYPE

94. CORE TYPE

95. CORE TYPE

96. CORE TYPE

97. CORE TYPE

98. CORE TYPE

99. CORE TYPE

100. CORE TYPE

TECHNICAL DETAILS DRAWING

SCALE: NTS

NAME OF THE MANUFACTURE & SYMBOL

TECHNICAL DETAILS

1. PRIMARY VOLTAGE (KV)

2. SECONDARY VOLTAGE (KV)

3. MVA

4. CORE TYPE

5. CORE TYPE

6. CORE TYPE

7. CORE TYPE

8. CORE TYPE

9. CORE TYPE

10. CORE TYPE

11. CORE TYPE

12. CORE TYPE

13. CORE TYPE

14. CORE TYPE

15. CORE TYPE

16. CORE TYPE

17. CORE TYPE

18. CORE TYPE

19. CORE TYPE

20. CORE TYPE

21. CORE TYPE

22. CORE TYPE

23. CORE TYPE

24. CORE TYPE

25. CORE TYPE

26. CORE TYPE

27. CORE TYPE

28. CORE TYPE

29. CORE TYPE

30. CORE TYPE

31. CORE TYPE

32. CORE TYPE

33. CORE TYPE

34. CORE TYPE

35. CORE TYPE

36. CORE TYPE

37. CORE TYPE

38. CORE TYPE

39. CORE TYPE

40. CORE TYPE

41. CORE TYPE

42. CORE TYPE

43. CORE TYPE

44. CORE TYPE

45. CORE TYPE

46. CORE TYPE

47. CORE TYPE

48. CORE TYPE

49. CORE TYPE

50. CORE TYPE

51. CORE TYPE

52. CORE TYPE

53. CORE TYPE

54. CORE TYPE

55. CORE TYPE

56. CORE TYPE

57. CORE TYPE

58. CORE TYPE

59. CORE TYPE

60. CORE TYPE

61. CORE TYPE

62. CORE TYPE

63. CORE TYPE

64. CORE TYPE

65. CORE TYPE

66. CORE TYPE

67. CORE TYPE

68. CORE TYPE

69. CORE TYPE

70. CORE TYPE

71. CORE TYPE

72. CORE TYPE

73. CORE TYPE

74. CORE TYPE

75. CORE TYPE

76. CORE TYPE

77. CORE TYPE

78. CORE TYPE

79. CORE TYPE

80. CORE TYPE

81. CORE TYPE

82. CORE TYPE

83. CORE TYPE

84. CORE TYPE

85. CORE TYPE

86. CORE TYPE

87. CORE TYPE

88. CORE TYPE

89. CORE TYPE

90. CORE TYPE

91. CORE TYPE

92. CORE TYPE

93. CORE TYPE

94. CORE TYPE

95. CORE TYPE

96. CORE TYPE

97. CORE TYPE

98. CORE TYPE

99. CORE TYPE

100. CORE TYPE

TECHNICAL DETAILS DRAWING

SCALE: NTS

NAME OF THE MANUFACTURE & SYMBOL

**TECHNICAL SPECIFICATION OF 315KVA, 11/0.433 KV, 22/0.433 KV Energy Efficiency Level -1
THREE PHASE, INDOOR TYPE OIL IMMERSED DISTRIBUTION TRANSFORMERS**

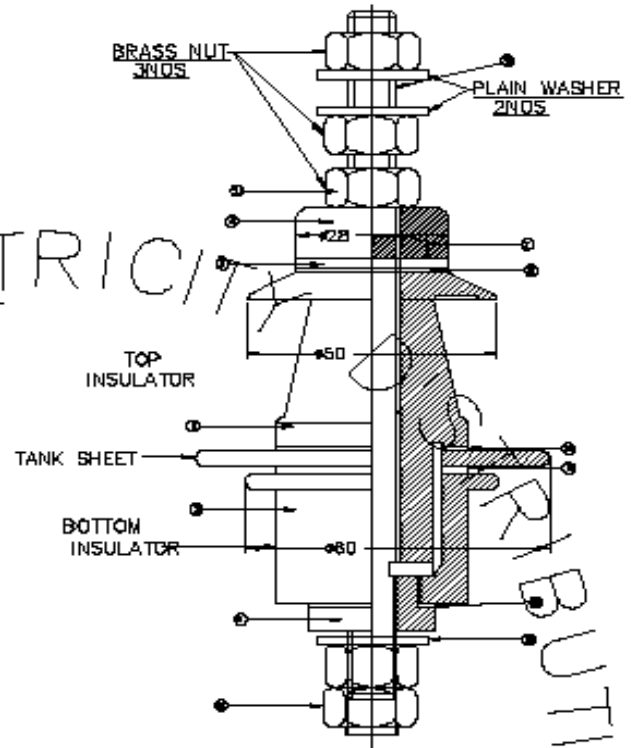
TRANSFORMER BUSHING AS PER IS:3347

ELECTRICAL CHARACTERISTICS:

1. RATED VOLTAGE : 1 KV
2. RATED CURRENT : 250 Amp
3. POWER FREQUENCY WITHSTAND VOLTAGE : 3 KV
4. CREEPAGE DISTANCE : 25 MM. (MIN.)

NOTE:

PERFORMANCE REQUIREMENTS OF THE BUSHING SHALL CONFIRM TO IS: 3347



MAKE: / / / / /

Sl. No.	DESCRIPTION	QTY
1	INSULATOR UPPER	2
2	INSULATOR LOWER	2
3	STEM NUTS	2
4	TOP END WASHER	2
5	STEM WASHER	2
6	BOTTOM NUTS	2
7	SEALING WASHER (TYPE M)	1
8	SEALING WASHER (TYPE M)	1
9	SEALING WASHER (TYPE M)	1
10	SEALING WASHER (TYPE M)	1
11	SEALING WASHER (TYPE M)	1
12	BELOCK NUT-12	1
13	PLAIN WASHER-12	1
14	SEALING WASHER (TYPE M)	1

NAME OF THE CUSTOMER: MSEDCL, MUMBAI-51
 A/T. NO. _____
 QUANTITY: _____
 DETAILS OF DISTRIBUTION TRANSFORMER: 100KVA, 11/0.433KV, CSP

NAME OF THE MANUFACTURE & SYMBOL

A/T. NO. _____

Note

BY BUSHING ASSEMBLY DRAWING
 100KVA, 11/0.433KV, CSP DIST. TRANSFORMER

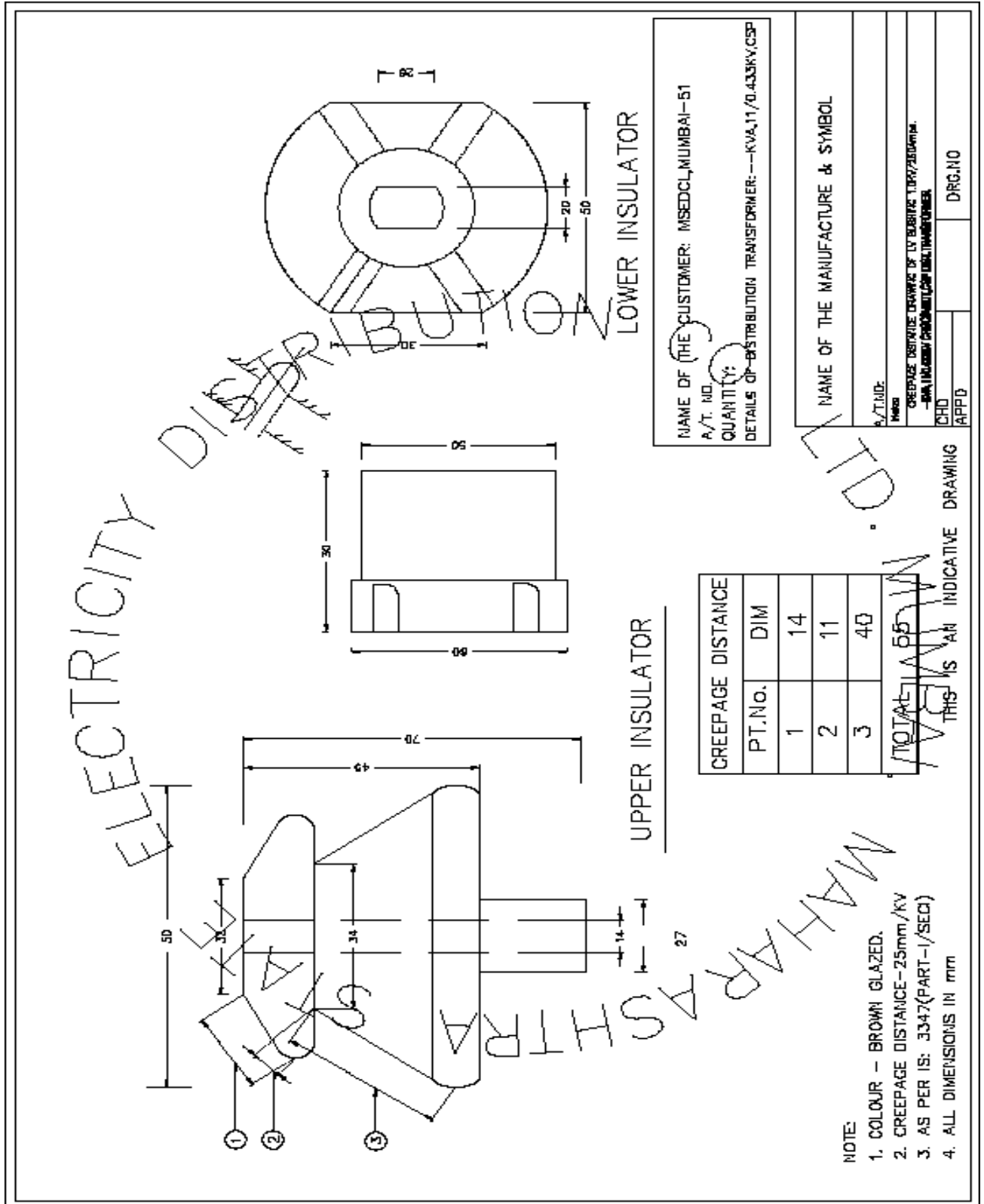
CHD

APPD

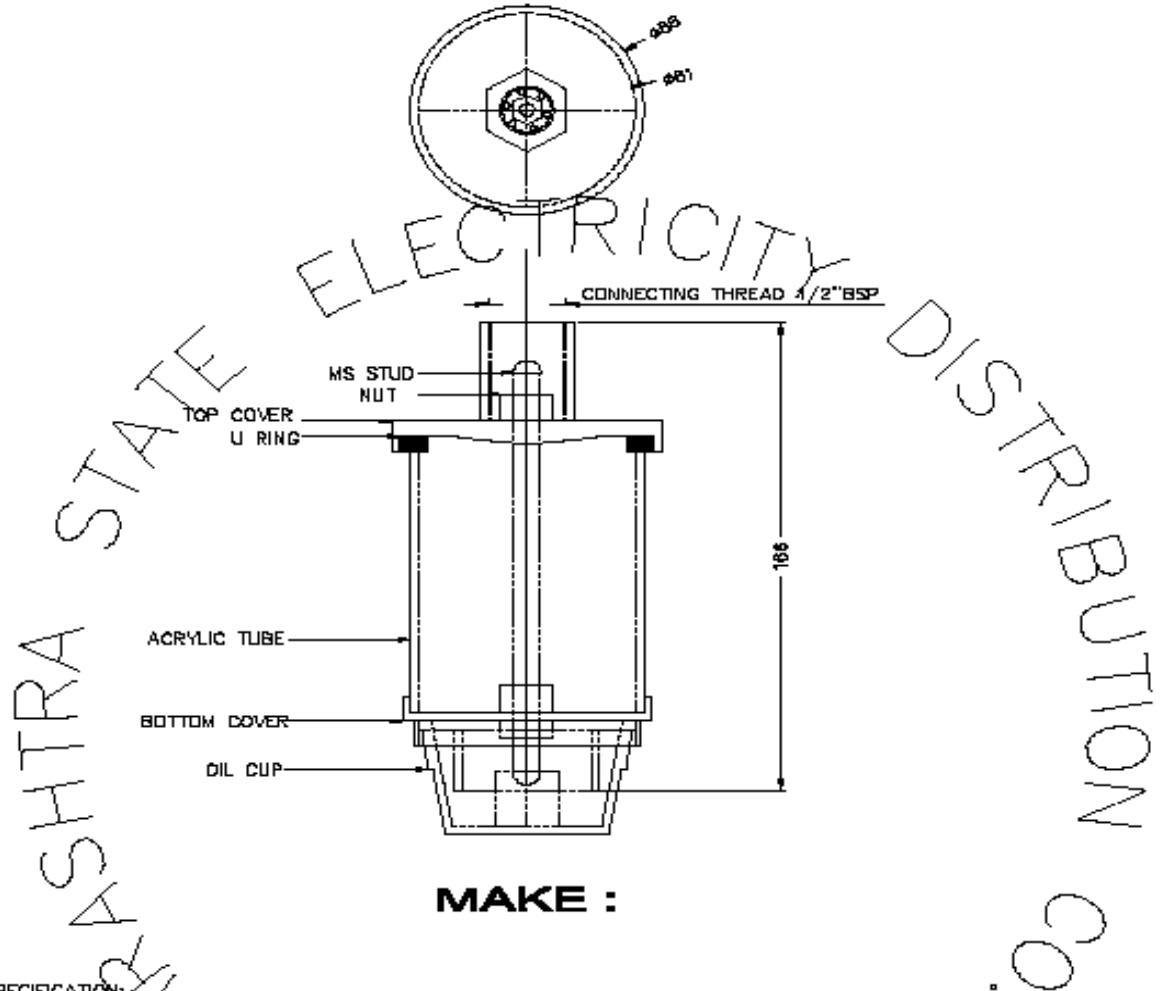
DRG. NO

THIS IS AN INDICATIVE DRAWING

**TECHNICAL SPECIFICATION OF 315KVA, 11/0.433 KV, 22/0.433 KV Energy Efficiency Level -1
THREE PHASE, INDOOR TYPE OIL IMMERSED DISTRIBUTION TRANSFORMERS**



SILICAGEL BREATHER



MAKE :

SPECIFICATION:

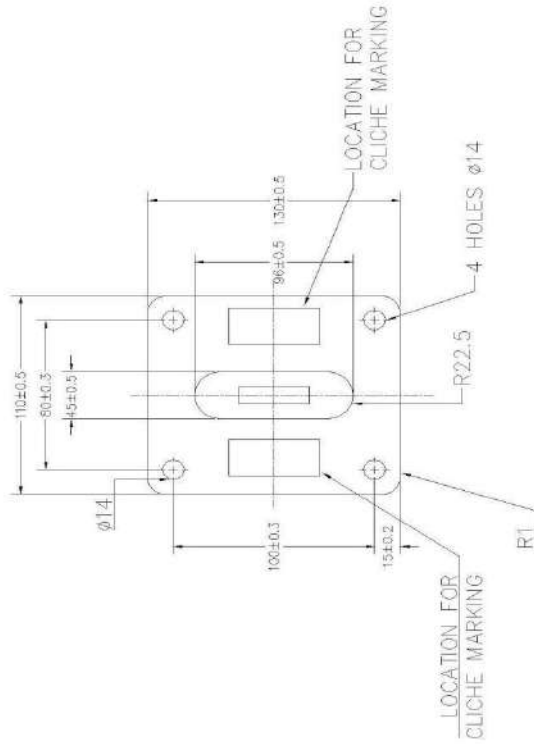
PART NAME	MATERIAL USED
TOP COVER	NYLON
BOTTOM COVER	NYLON
OIL CUP	ACRYLIC

NAME OF THE CUSTOMER: MSEDCL, MUMBAI-51
 A/T. NO. _____
 QUANTITY: _____
 DETAILS OF DISTRIBUTION TRANSFORMER: ---KVA, 11/0.433KV, CSP

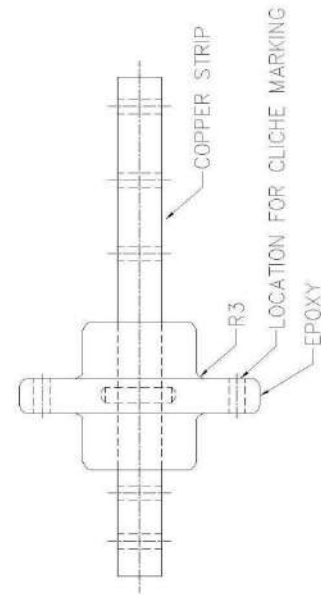
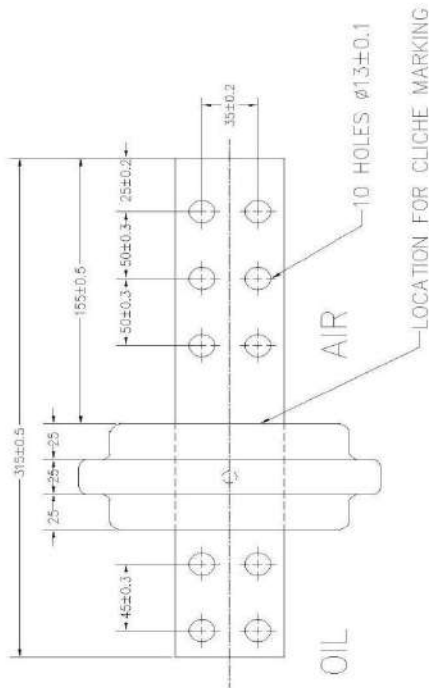
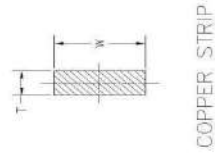
NAME OF THE MANUFACTURE & SYMBOL	
A/T.NO:	
Make:	
SILICA GEL BREATHER, 250gms	
CHD	DRG.NO
APPD	

THIS IS AN INDICATIVE DRAWING

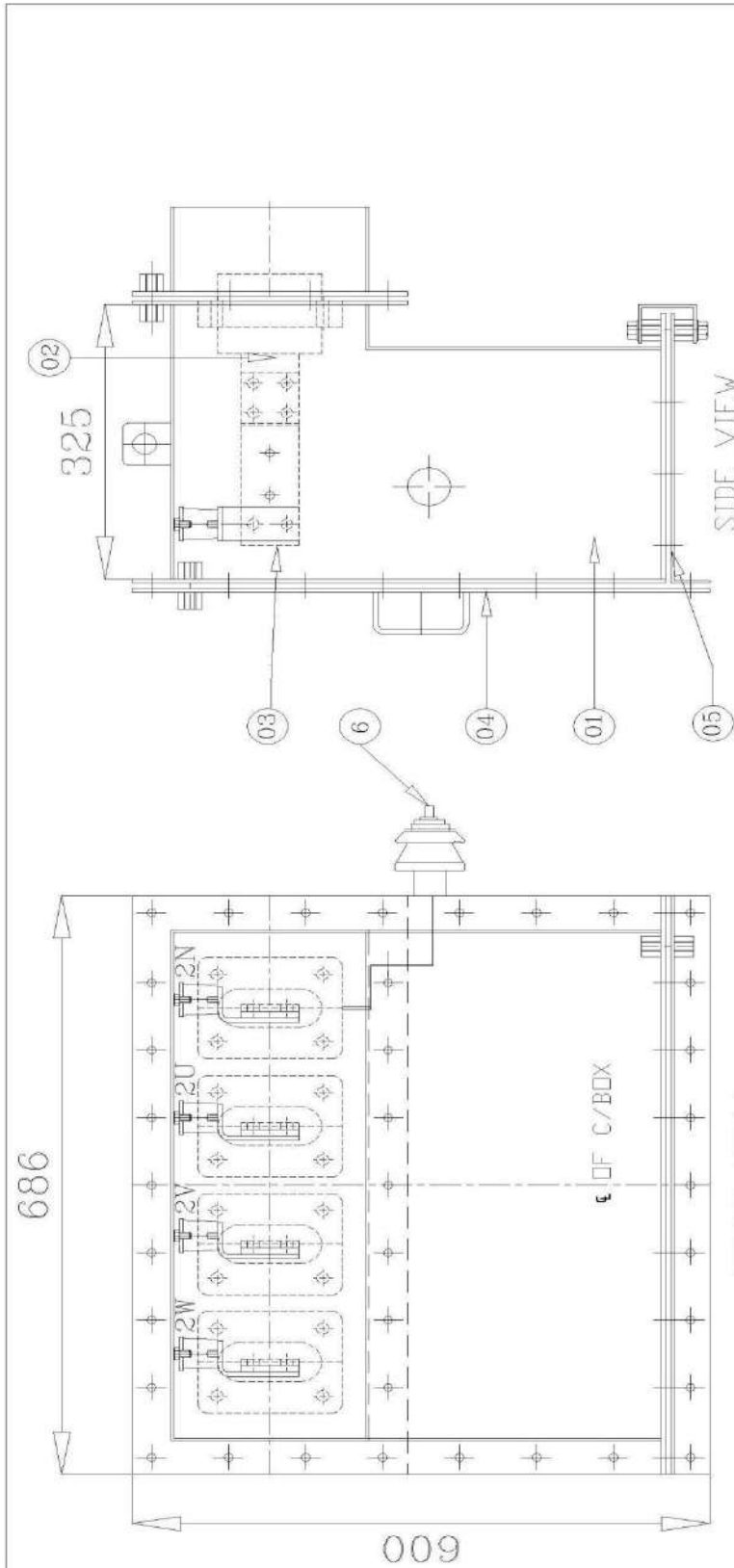
**TECHNICAL SPECIFICATION OF 315KVA, 11/0.433 KV, 22/0.433 KV Energy Efficiency Level -1
THREE PHASE, INDOOR TYPE OIL IMMERSED DISTRIBUTION TRANSFORMERS**



VARIANTS			
SR NO	W	T	AMPS
1	63.5	12.7	1400
2	63.5	19.0	2150
3	76.0	25.4	3300



**TECHNICAL SPECIFICATION OF 315KVA, 11/0.433 KV, 22/0.433 KV Energy Efficiency Level -1
THREE PHASE, INDOOR TYPE OIL IMMERSED DISTRIBUTION TRANSFORMERS**

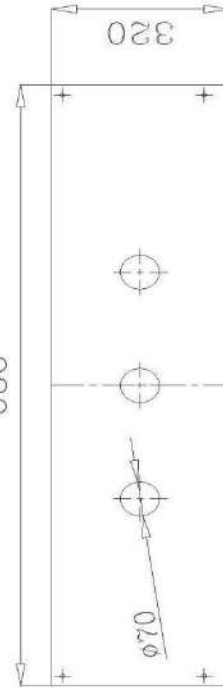


THIS IS AN INDICATIVE DRAWING.

BILL OF MATERIAL

QTY.	JIT. NO.	DESCRIPTION	MATL.
1		CABLE BOX SHELL	MS
4		LV BUSHING	EPOXY
4		BUS BAR (50x10mm)	ALUMINIUM
1		FRONT COVER	MS
1		DETACHABLE GLAND PLATE	ALUMINIUM
1		ADDITIONAL NEUTRAL BUSHING	PORCELAIN

FRONT VIEW

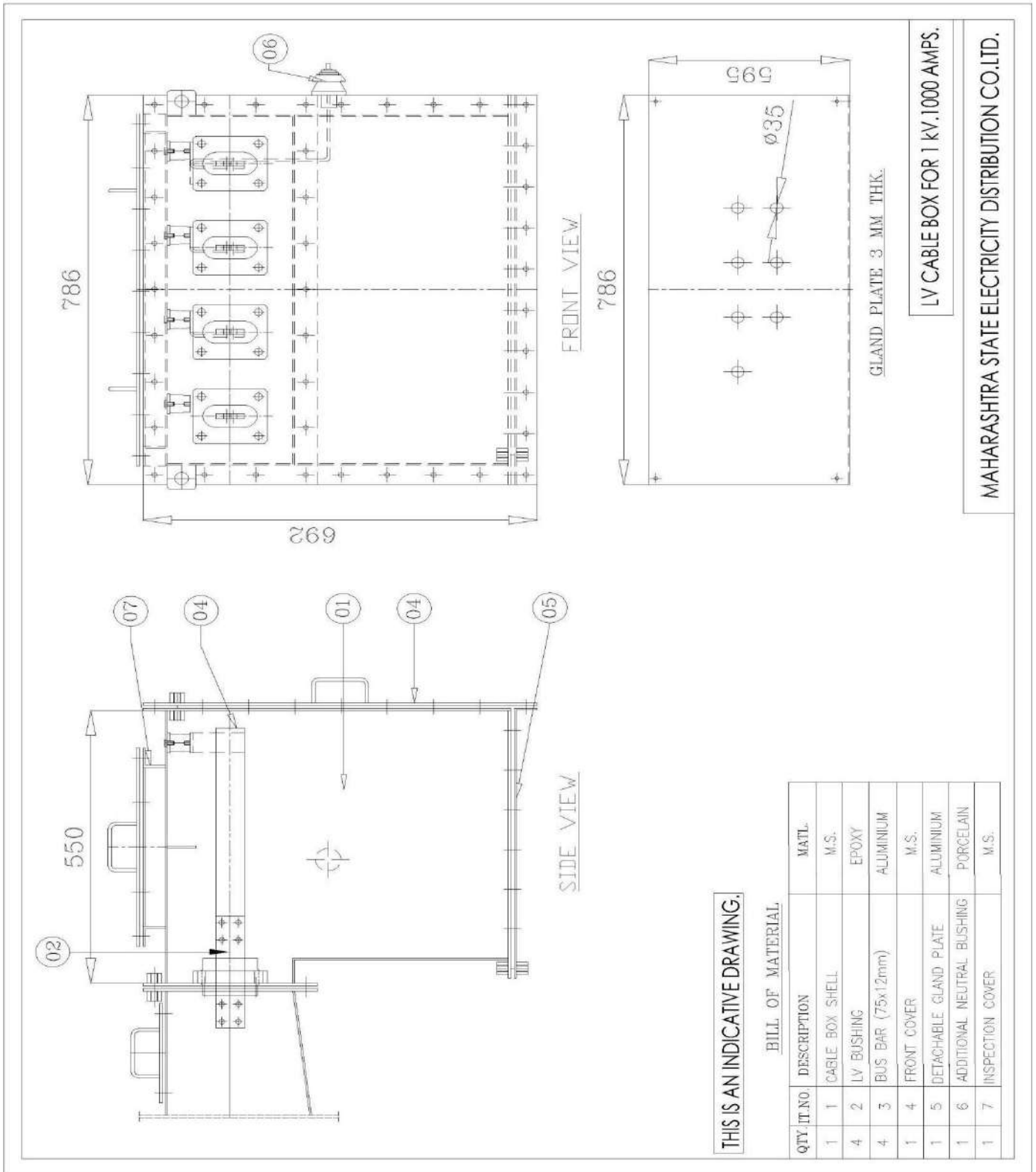


GLAND PLATE 3 MM THK.

LV CABLE BOX FOR 1 KV, 630 AMPS.

MAHARASHTRA STATE ELECTRICITY DISTRIBUTION CO.LTD.

**TECHNICAL SPECIFICATION OF 315KVA, 11/0.433 KV, 22/0.433 KV Energy Efficiency Level -1
THREE PHASE, INDOOR TYPE OIL IMMERSED DISTRIBUTION TRANSFORMERS**



THIS IS AN INDICATIVE DRAWING.

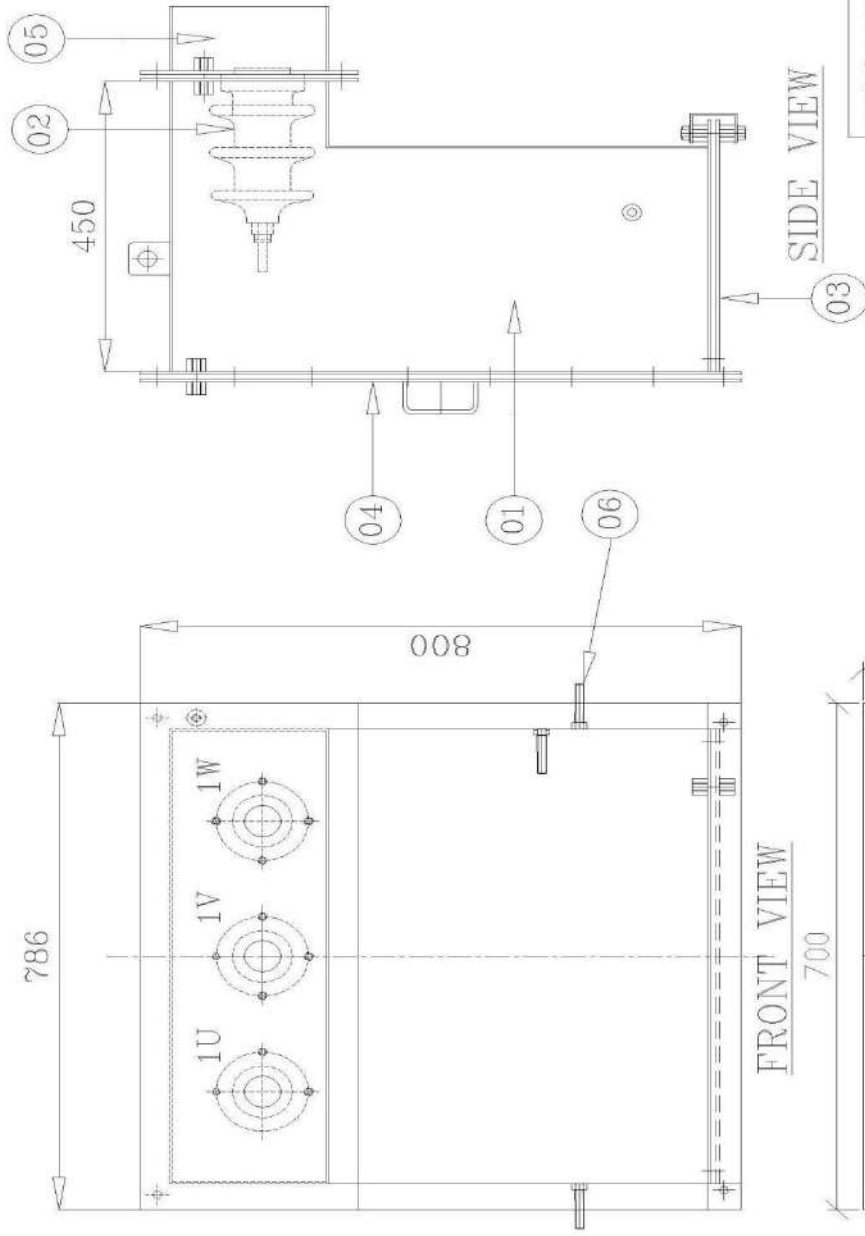
BILL OF MATERIAL

QTY.	IT.NO	DESCRIPTION	MATL.
1	1	CABLE BOX SHELL	M.S.
4	2	LV BUSHING	EPOXY
4	3	BUS BAR (75x12mm)	ALUMINIUM
1	4	FRONT COVER	M.S.
1	5	DETACHABLE GLAND PLATE	ALUMINIUM
1	6	ADDITIONAL NEUTRAL BUSHING	PORCELAIN
1	7	INSPECTION COVER	M.S.

LV CABLE BOX FOR 1 KV.1000 AMPS.

MAHARASHTRA STATE ELECTRICITY DISTRIBUTION CO.LTD.

**TECHNICAL SPECIFICATION OF 315KVA, 11/0.433 KV, 22/0.433 KV Energy Efficiency Level -1
THREE PHASE, INDOOR TYPE OIL IMMERSED DISTRIBUTION TRANSFORMERS**



THIS IS AN INDICATIVE DRAWING.

BILL OF MATERIAL

QTY.	IT.NO	DESCRIPTION	MATL.
1	1	CABLE BOX SHELL	MS.
3	2	HV BUSHING	PORCELAIN
1	3	DETACHABLE GLAND PLATE	ALUMINUM
1	4	FRONT COVER	MS
1	5	BUSHING POCKET CHAMBER	MS
2	6	EARTHING STUD	SS.

HV CABLE BOX FOR 11 KV, 250 AMPS.

MAHARASHTRA STATE ELECTRICITY DISTRIBUTION CO.LTD.